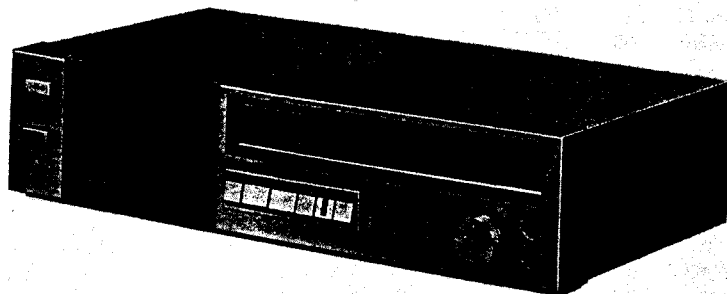


US Model  
AEP Model  
UK Model  
E Model



'Dolby' and the double-D symbol are trademarks of Dolby Laboratories. Noise reduction system manufactured under license from Dolby Laboratories Licensing Corporation.

## STEREO CASSETTE DECK

### SPECIFICATIONS

**Power Requirements:** 120 V ac, 60 Hz (US model)  
220 V ac, 50/60 Hz (AEP model)  
240 V ac, 50/60 Hz (UK model)  
110, 120, 220, 240 V ac adjustable, 50/60 Hz (E model)

**Power Consumption:** 15 W

**Dimensions:** Approx. 430 (w) x 105 (h) x 255 (d) mm  
17 (w) x 4 $\frac{1}{4}$  (h) x 10 $\frac{1}{8}$  (d) inches  
including projecting parts and controls

**Weight:** Approx. 4.4 kg (9 lbs 12 oz)

**Recording System:** 4-track 2-channel stereo

**Fast-forward and**

**Rewind Time:** Approx. 90 sec. (with C-60 cassette)

**Bias Frequency:** 105 kHz

**Frequency Response:** DOLBY NR OFF

- With TYPE IV cassette (Sony METALLIC)  
20 – 17,000 Hz (NAB)  
30 – 15,000 Hz ( $\pm 3$  dB) (DIN)  
30 – 13,000 Hz ( $\pm 3$  dB, 0 VU recording)
- With TYPE III cassette (Sony Fe-Cr)  
20 – 17,000 Hz (NAB)  
30 – 15,000 Hz ( $\pm 3$  dB) (DIN)
- With TYPE II cassette (Sony HFX or BHF)  
20 – 17,000 Hz (NAB)  
30 – 15,000 Hz ( $\pm 3$  dB) (DIN)

– Continued on page 2 –

**Signal-to-noise Ratio (NAB, at peak level, weighted):**

Cassette Dolby NR switch	TYPE I Sony HFX or BHF	TYPE II Sony EHF or CD- $\alpha$	TYPE III Sony Fe-Cr	TYPE IV Sony METALLIC
C-TYPE ON	67 dB	69 dB	72 dB	71 dB
B-TYPE ON	61 dB	63 dB	66 dB	65 dB
OFF	54 dB	56 dB	59 dB	58 dB

**Total Harmonic**

**Distortion:** 1.0% (with Sony METALLIC and Fe-Cr cassettes)



SAFETY RELATED COMPONENTS AND  
COMPONENTS IDENTIFIED BY SHADING AND WARN-  
ING SYMBOLS IN THE SCHEMATIC DIAGRAMS ARE INCLUDED  
HEREIN AND IN THE PARTS LIST FOR REFERENCE TO  
REPAIR PERSONNEL. REPLACE THESE COMPONENTS  
WITH IDENTICAL PARTS. DO NOT SUBSTITUTE  
EQUIVALENTS OR REPAIRS. ALWAYS USE THE LATEST  
EQUIVALENTS.

# SERVICE MANUAL

- With TYPE I cassette (Sony HFX or CD-a)
  - 20 – 16,000 Hz (NAB)
  - 30 – 13,000 Hz (±3 dB) (DIN)
- Wow and Flutter:** 0.05% WRMS (NAB)  
±0.14% (DIN)
- Inputs:** Microphone inputs (phone jacks)
  - Sensitivity 0.25 mV (-70 dB)
  - For a low-impedance microphone
 Line inputs (phono jacks)
  - Sensitivity 77.5 mV (-20 dB)
  - Input impedance 50 kΩ
- Outputs:** Line outputs (phono jacks)
  - Output level 0.435 V (-5 dB) at load impedance 50 kΩ
  - Load impedance over 10 kΩ
 Headphone output
  - Output level 31 mV (-28 dB) at a load impedance of 8 Ω

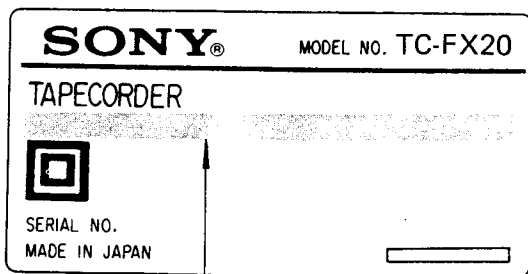
0 dB = 0.775 V

While the information given is true at the time of printing, small production changes in the course of our company's policy of improvement through research and design might not necessarily be in your appointed Sony dealer if clarification on any point is required.

**Note**  
Appliance conform with ECC Directive. 76/889 regarding interference suppression.

**MODEL IDENTIFICATION**

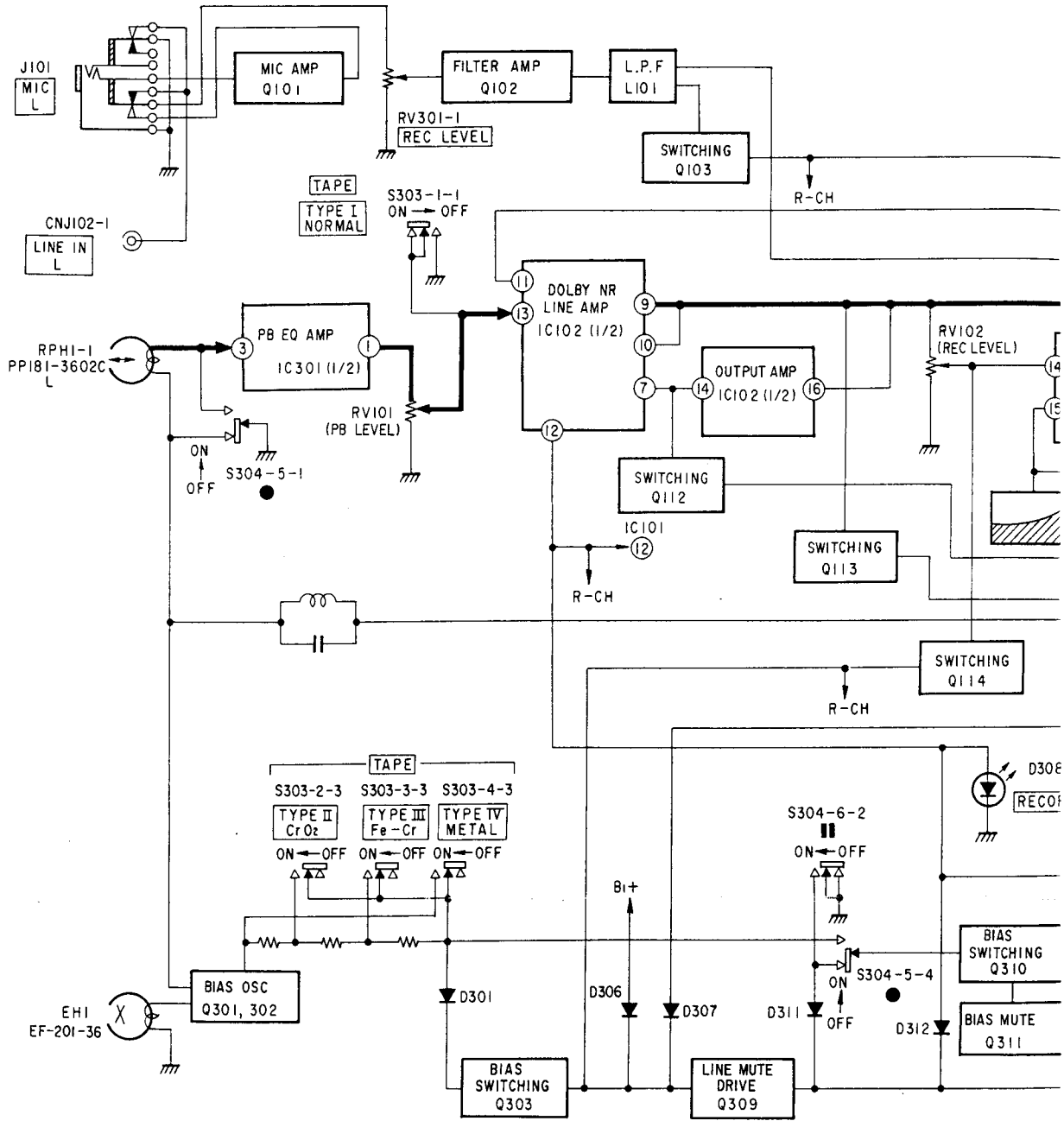
— Specification Label —



US model:	120 V ~	60 Hz	15W
AEP model:	220 V ~	60/60 Hz	15W
UK model:	240 V ~	50/60Hz	15W
E model:	110, 120, 220, 240 V ~	50/60 Hz	15W

SECTION 1  
OUTLINE

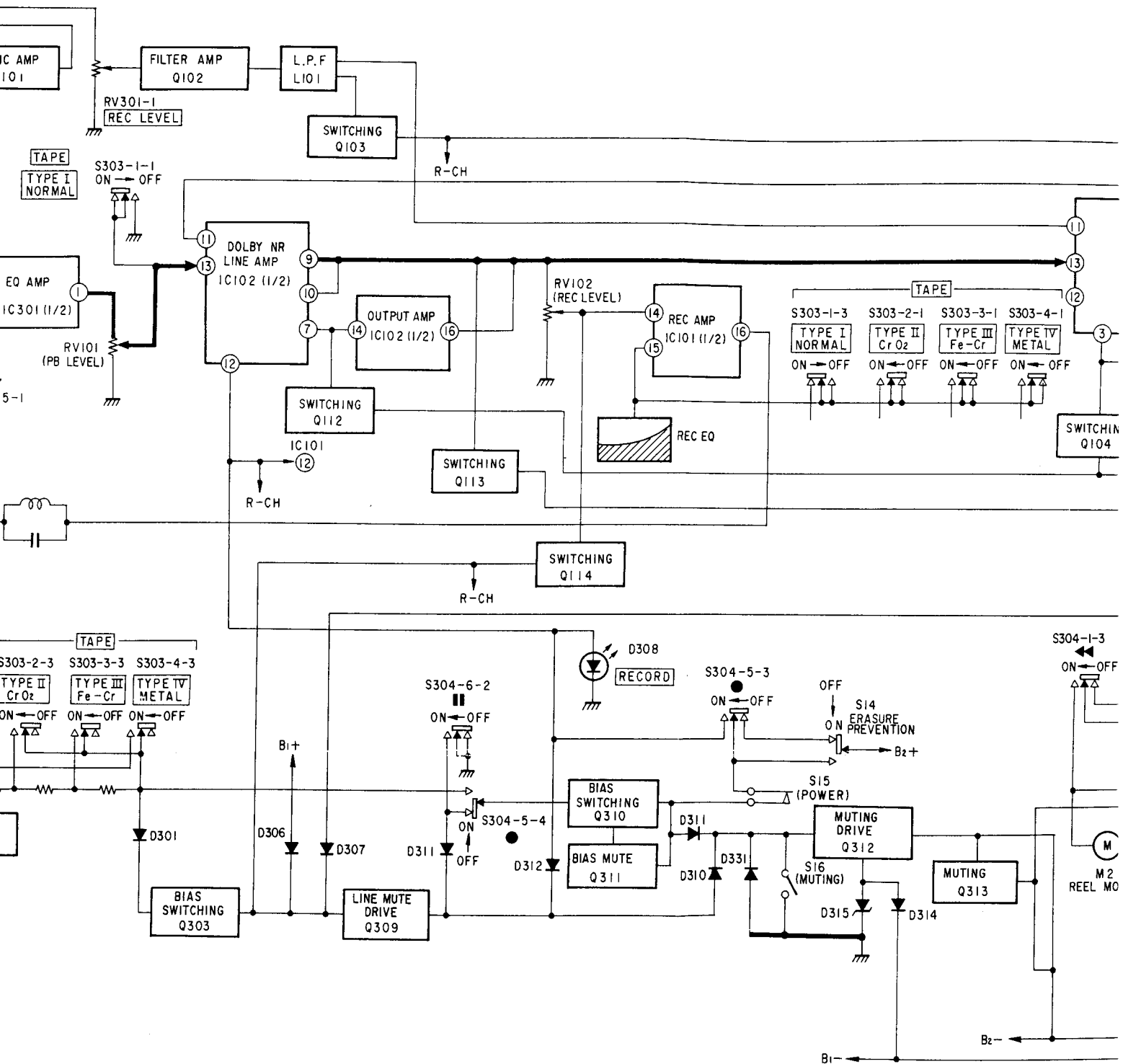
1-1. BLOCK DIAGRAM

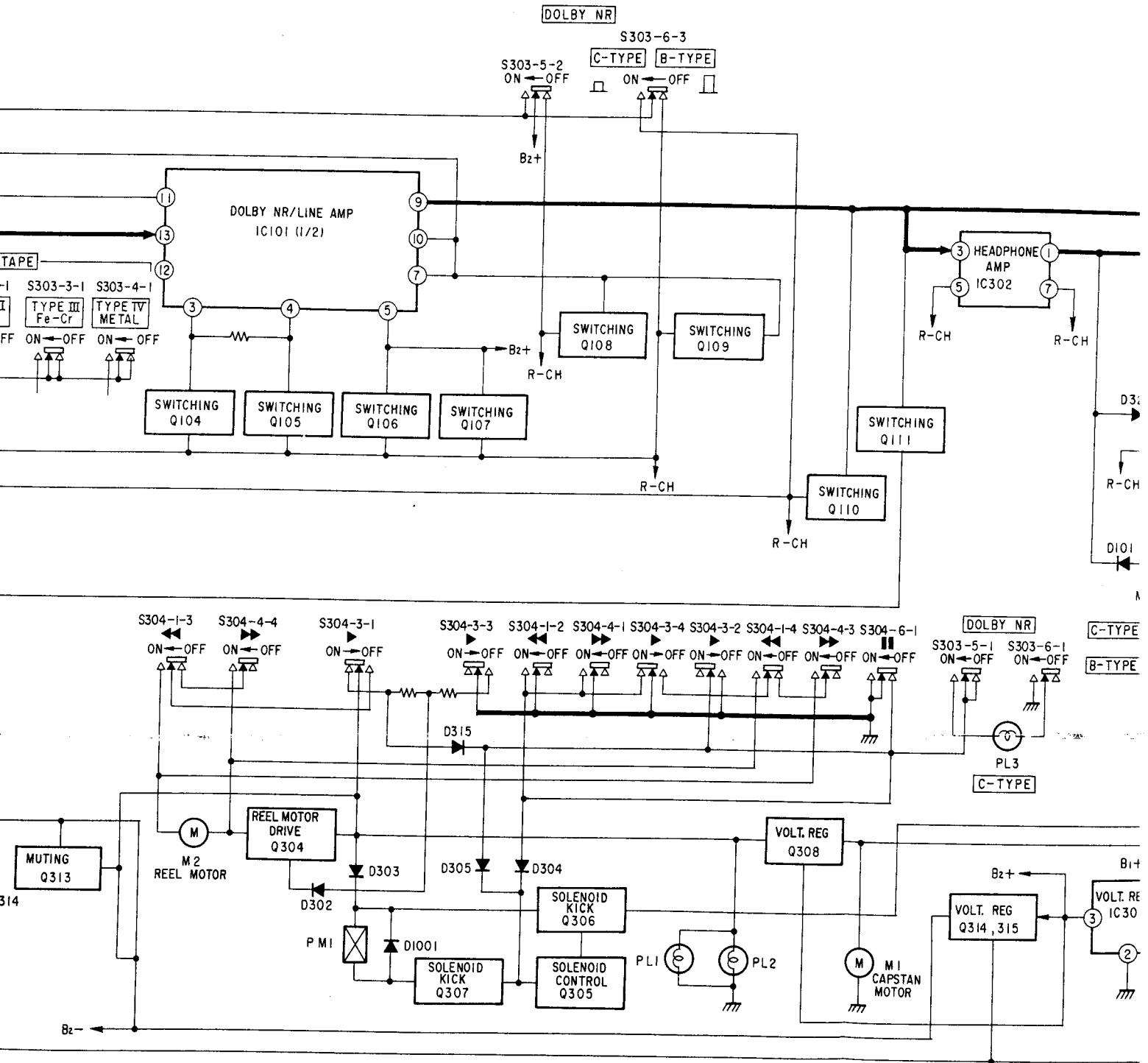


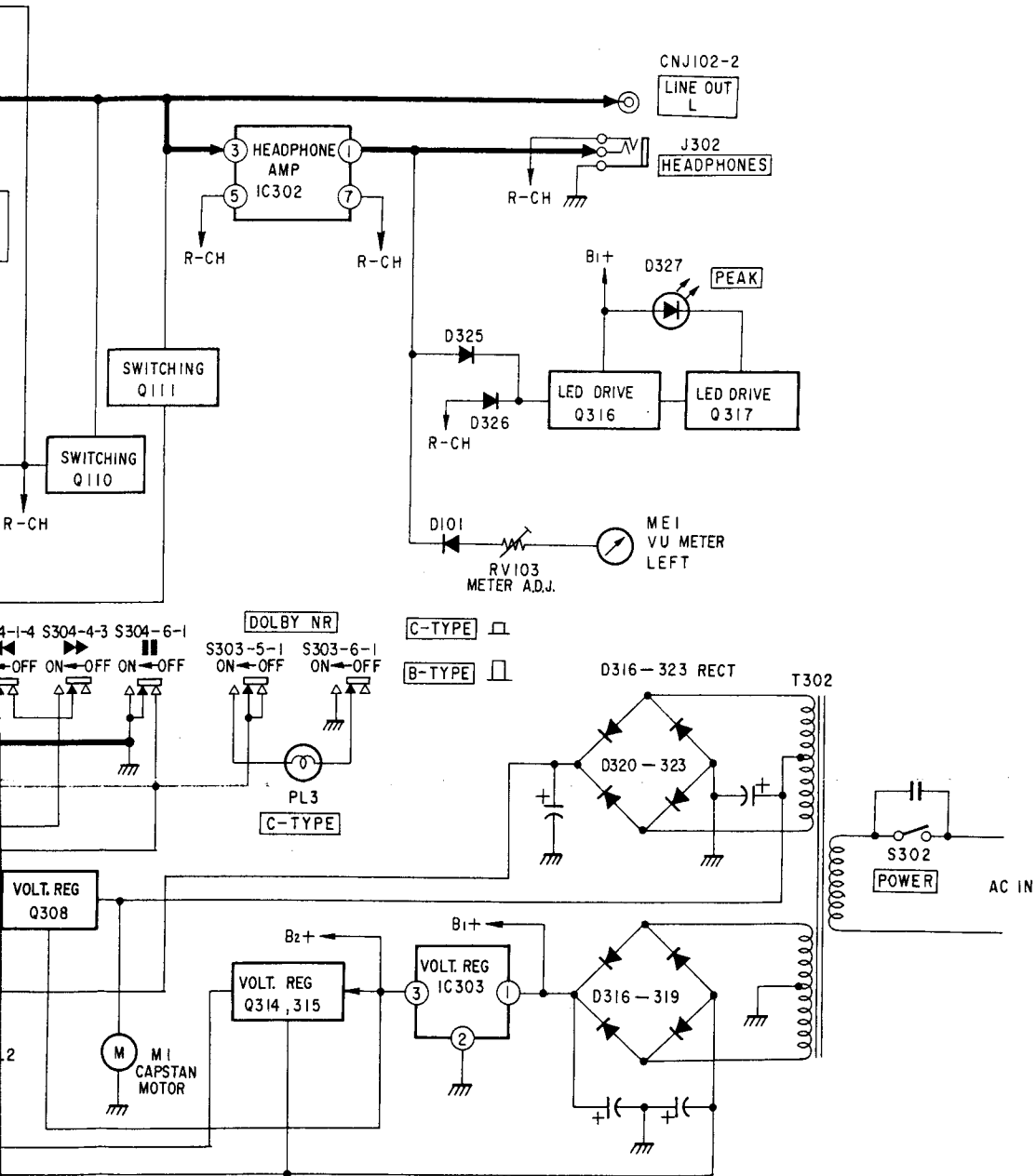
SECTION 1  
OUTLINE

TC-FX20

TC-FX20

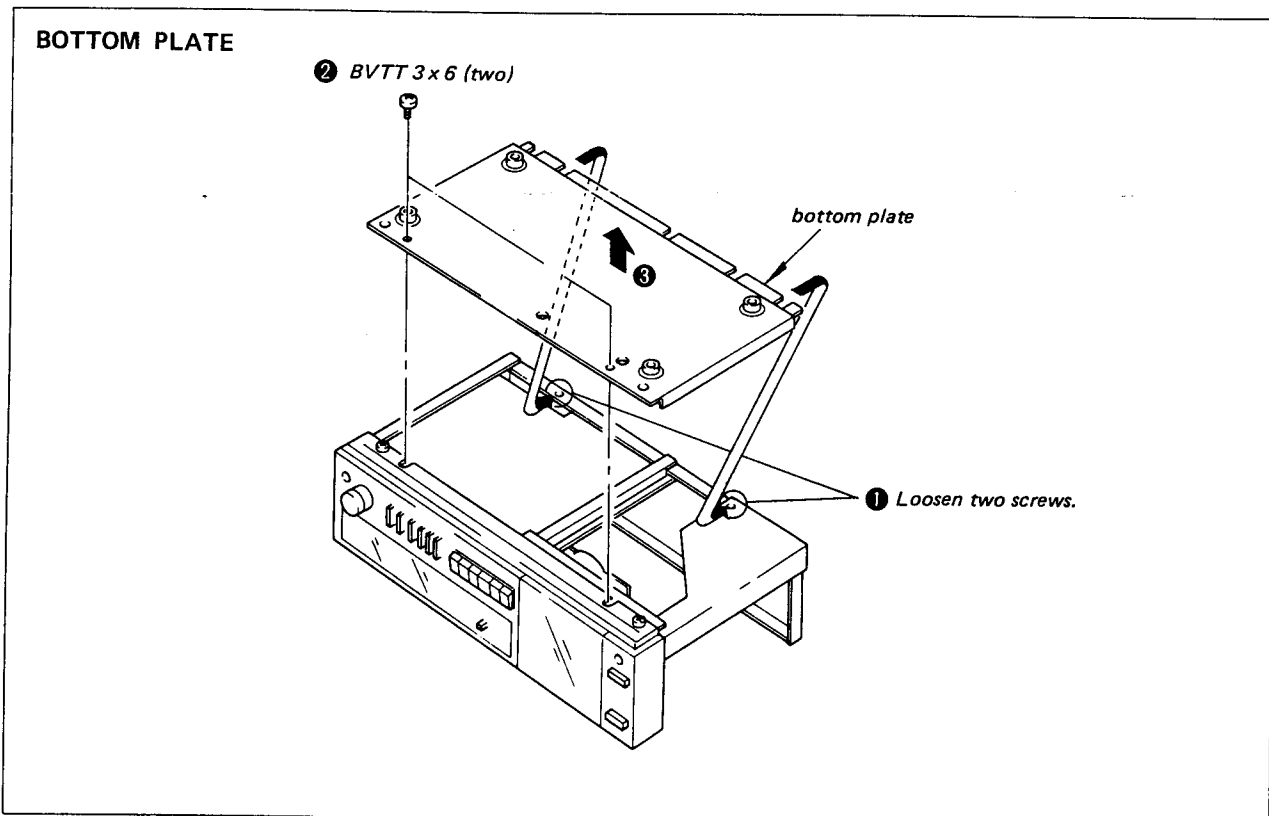
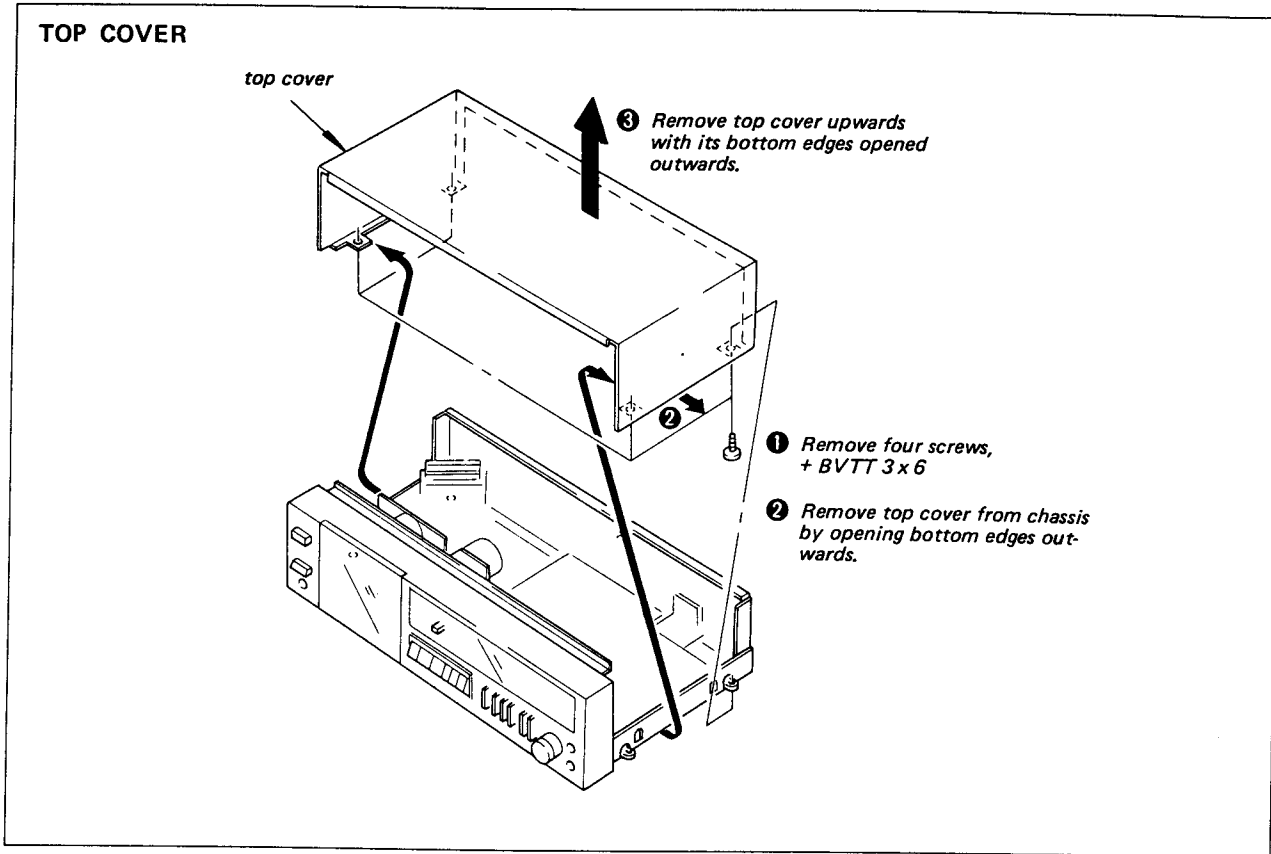






**SECTION 2  
DISASSEMBLY**

**Note:** Follow the disassembly procedure in the numerical order given.



upwards  
edges opened

move four screws,  
BVTT 3 x 6

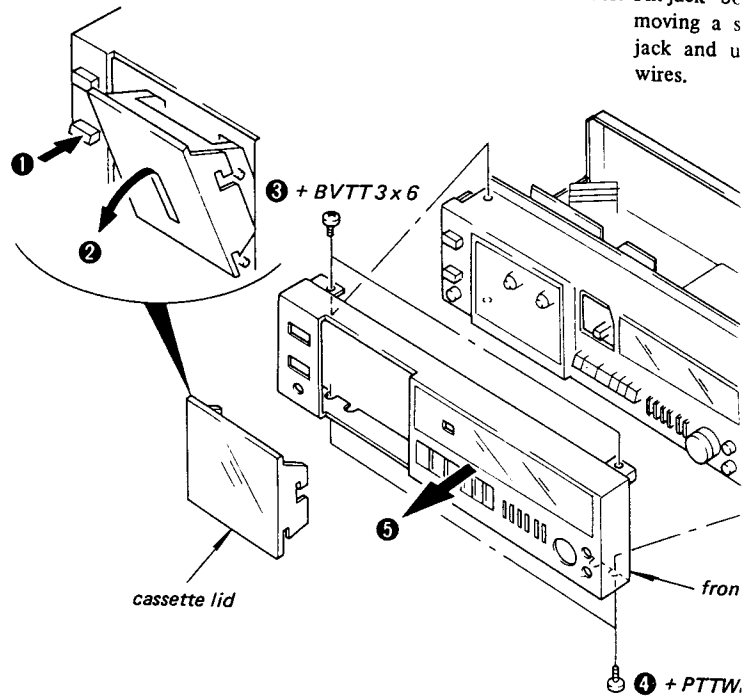
move top cover from chassis  
opening bottom edges out-  
wards.

m plate

1 Loosen two screws.

## FRONT PANEL

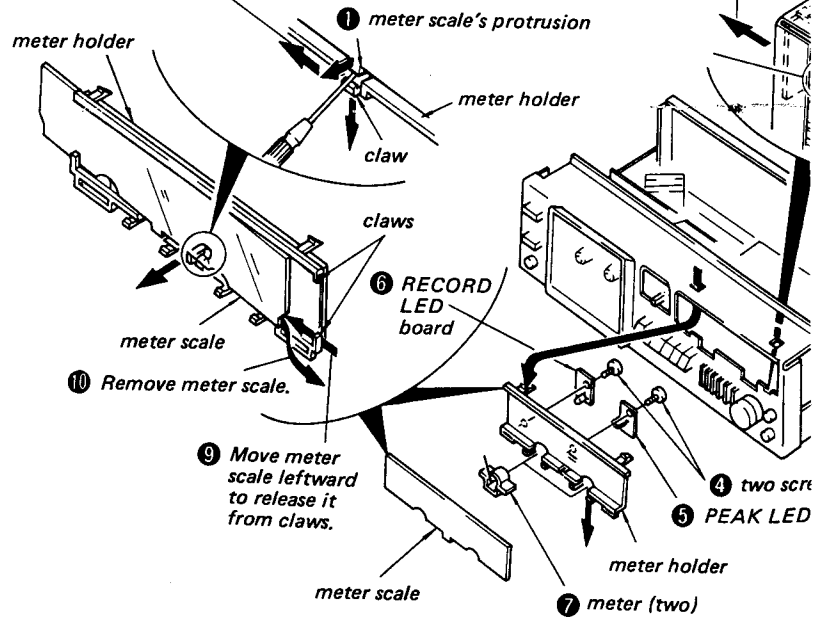
Note: Pin-jack be  
moving a s  
jack and u  
wires.



## LED METER

8 Remove meter scale from  
claw and slightly bend the  
meter scale forward until  
protrusion places outside  
holder.

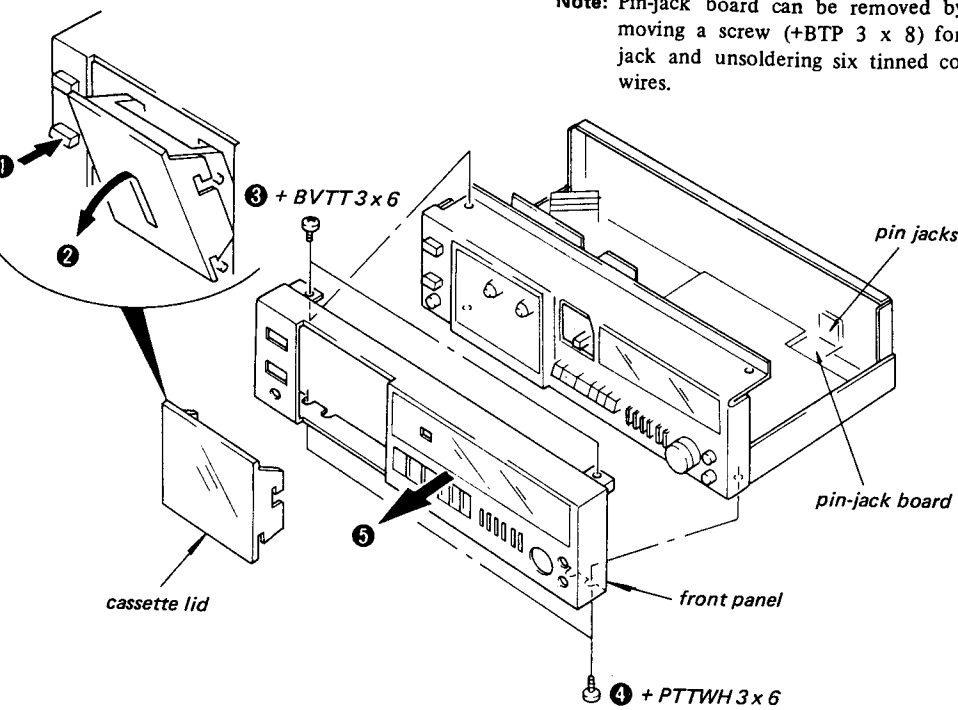
3 Remove VU meter block to  
outside of sub panel.





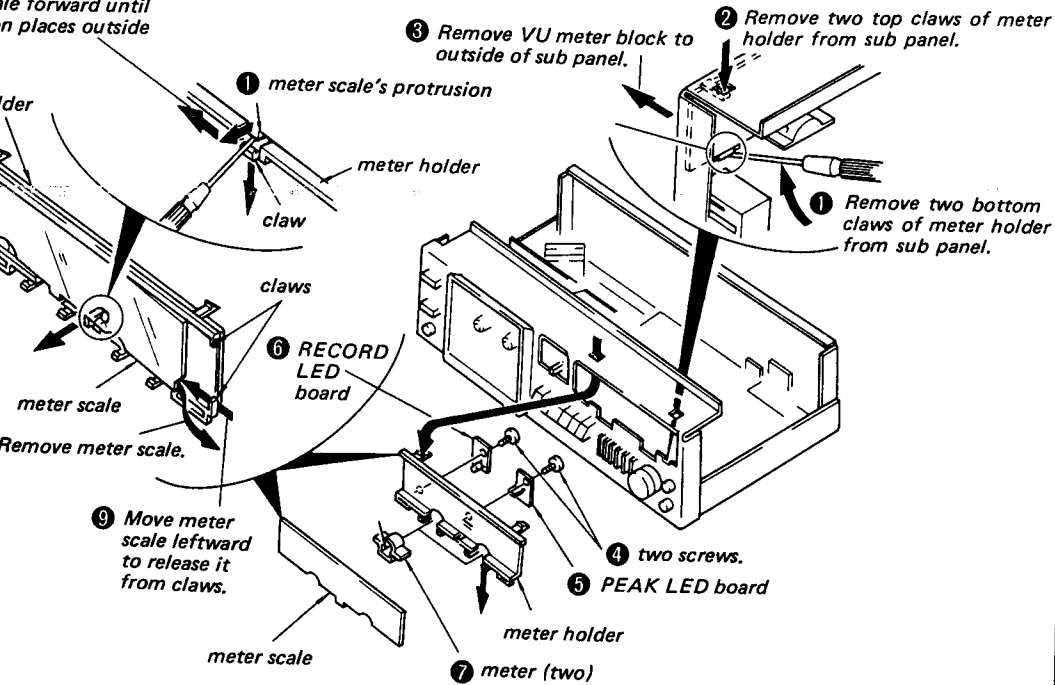
EL

Note: Pin-jack board can be removed by removing a screw (+BTP 3 x 8) for pin jack and unsoldering six tinned copper wires.



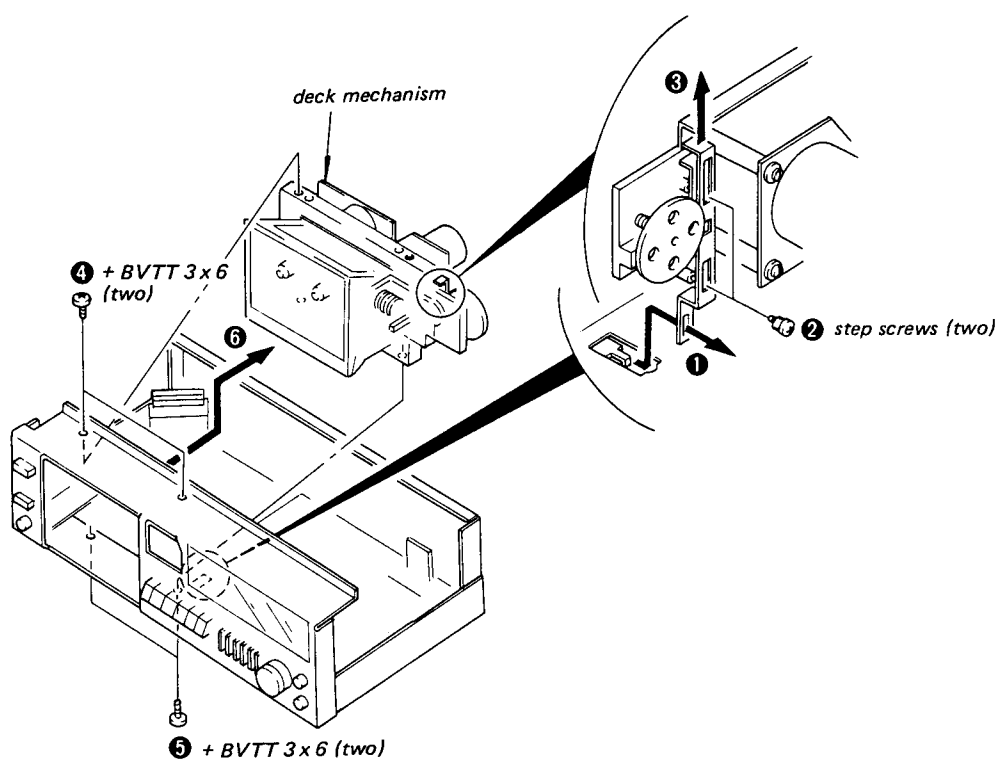
DECK ME

meter scale from slightly bend the scale forward until it places outside

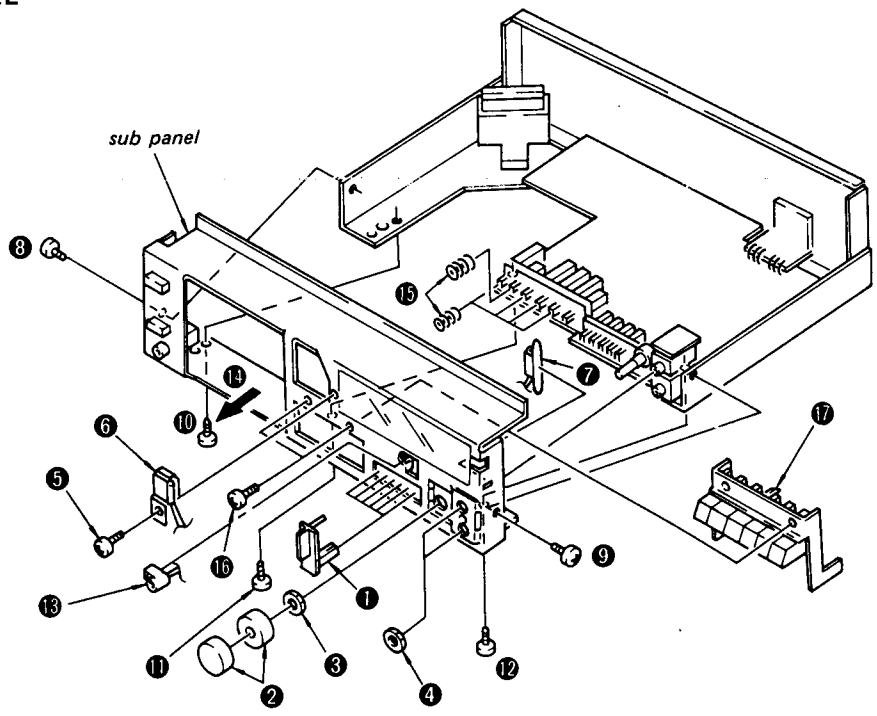


SUB PANEL

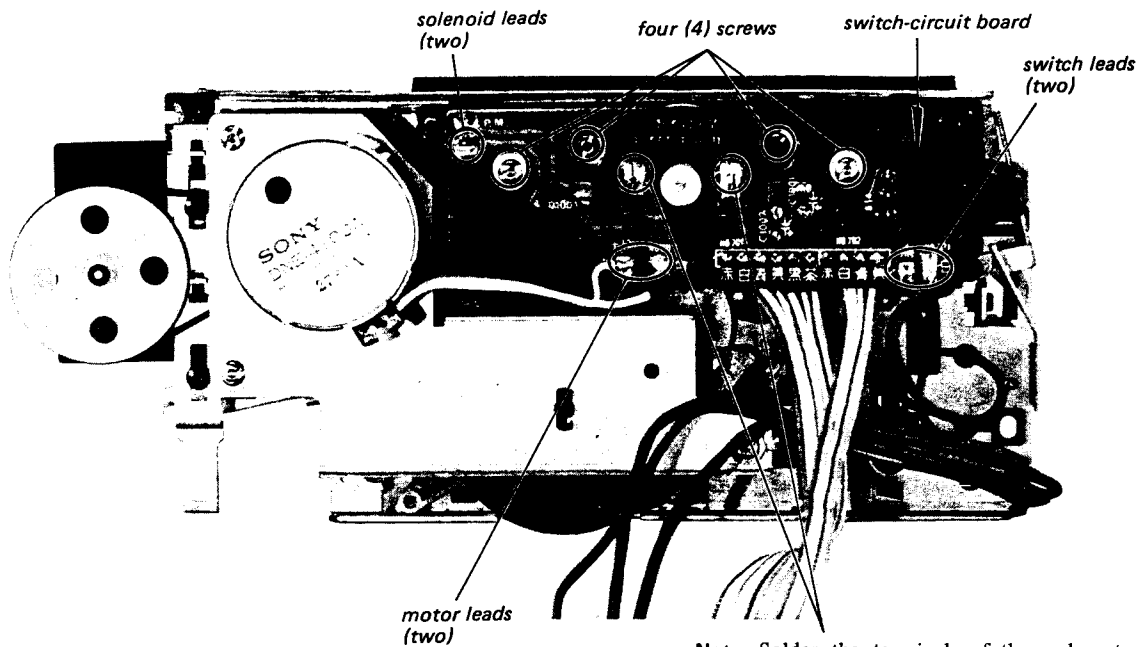
DECK MECHANISM



SUB PANEL

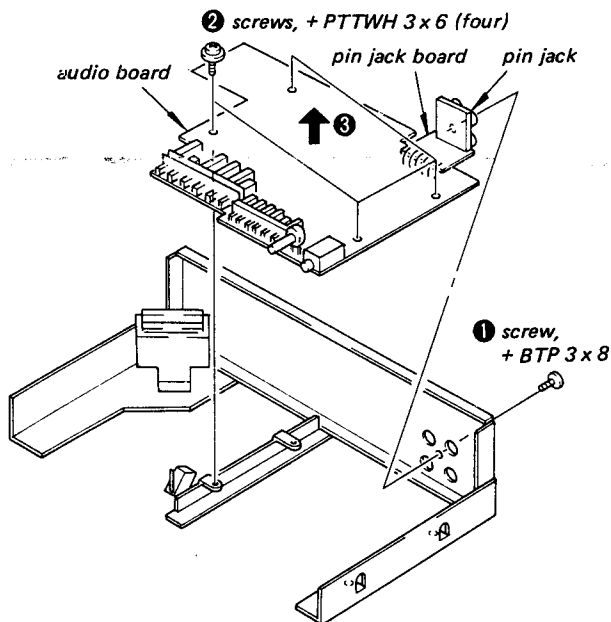


SWITCH-CIRCUIT BOARD

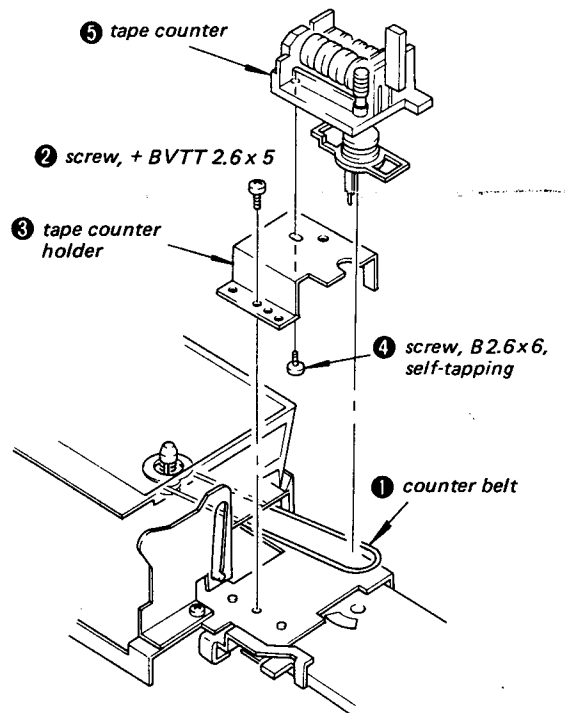


Note: Solder the terminals of the reel motor after the installations of the reel-motor holder and switch-circuit board. Otherwise circuit-board position may be displaced and cannot be fastened by the two screws.

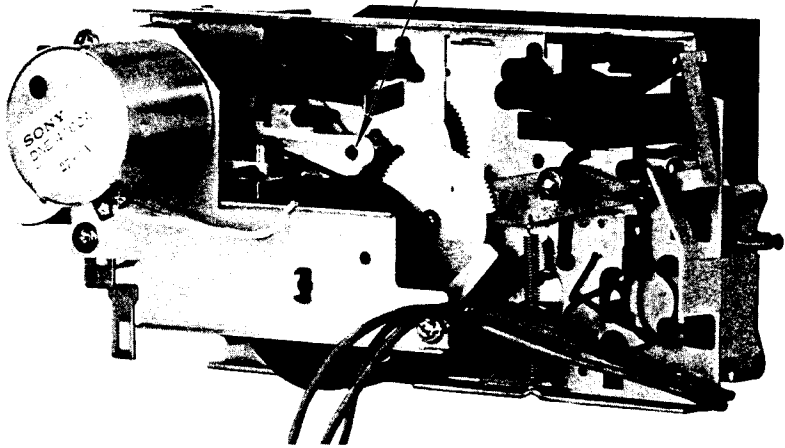
AUDIO AND PIN-JACK BOARDS



TAPE COUNTER

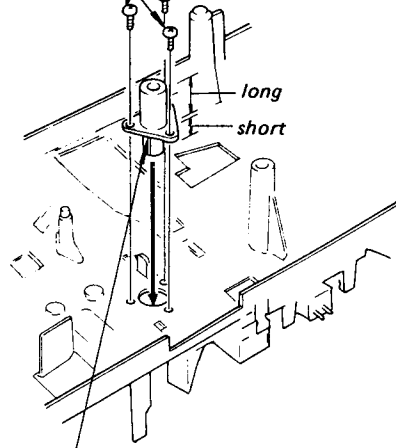


No retaining ring required.  
Edge of lever is retained by  
edge of reel motor holder.



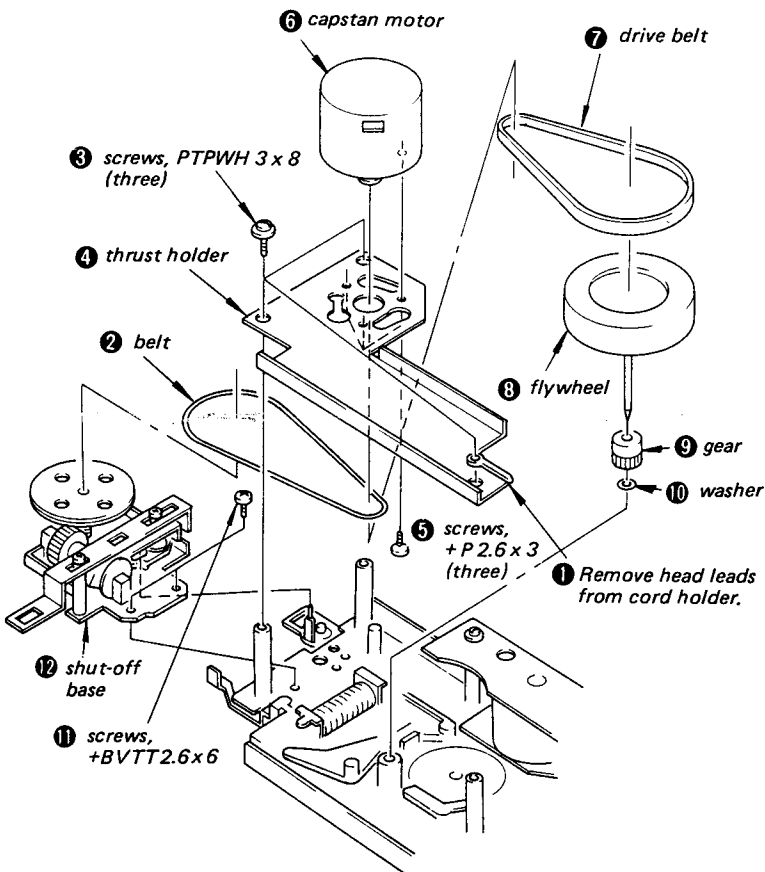
**THRUST BEARING  
INSTALLATION**

screws, + BVTT 2.6 x 6  
(three)

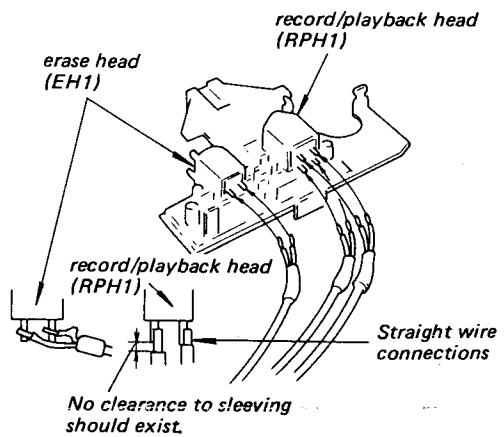


Grounding wire should  
place this side.

**CAPSTAN MOTOR, FLYWHEEL AND SHUT-OFF BASE**



**HEAD CORDS CONNECTION**



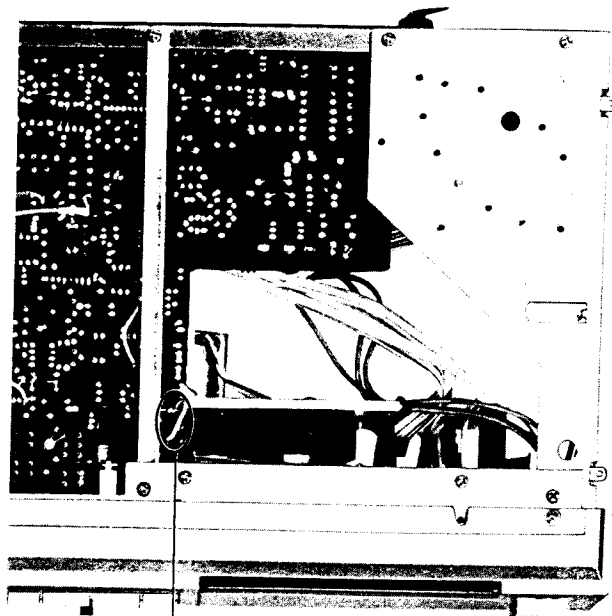
## SECTION 3 ADJUSTMENTS

### 3-1. MECHANICAL ADJUSTMENTS

#### PRECAUTION

1. Clean the following parts with a denatured-alcohol-moistened swab:
 

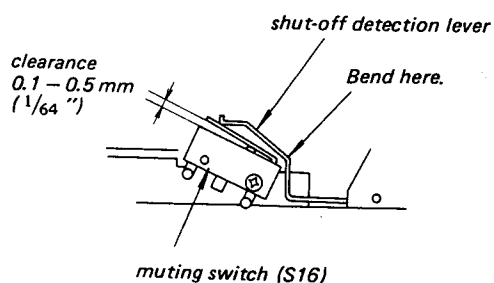
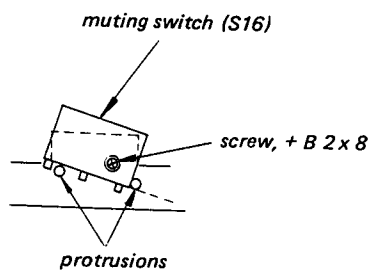
record/playback head	pinch roller
erase head	rubber belts
capstan	idlers
2. Demagnetize the record/playback head with a head demagnetizer.
3. Do not use a magnetized screwdriver for the adjustments.
4. After the adjustments, apply suitable locking compound to the parts adjusted.
5. The adjustments should be performed with the rated power supply voltage unless otherwise noted.

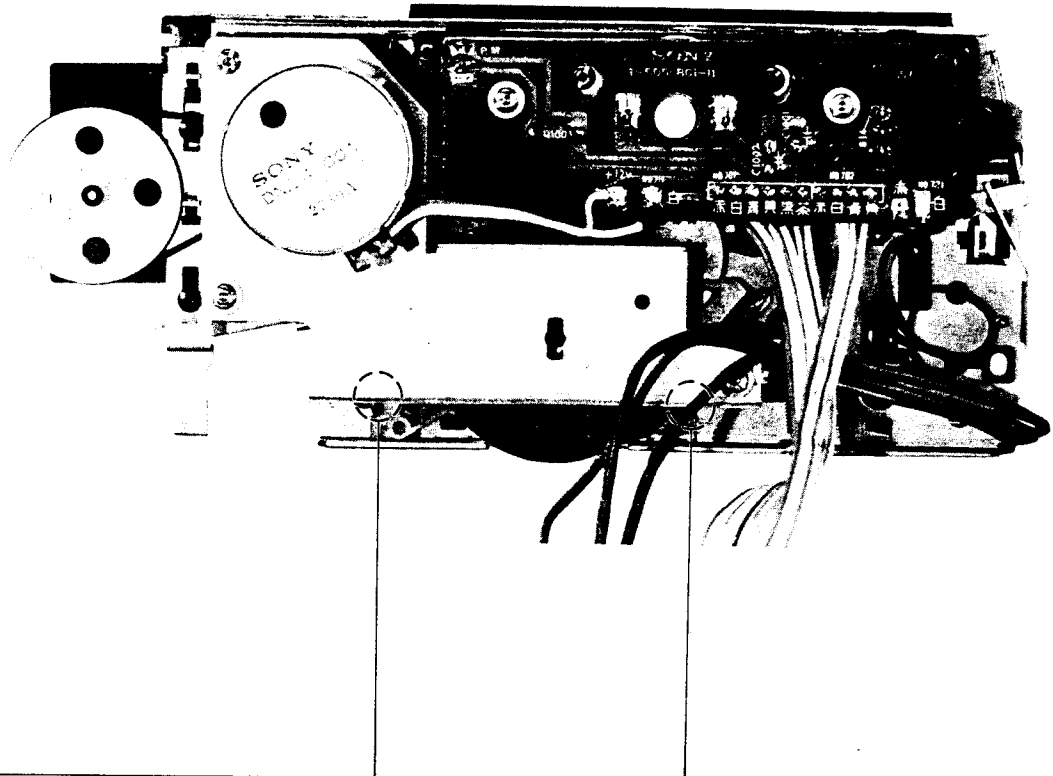


#### Muting Switch (S16) Positioning

— Playback mode —

1. Install the muting switch on the chassis beam by positioning the switch with its two edges touching the two switch-positioning protrusions in the beam as shown below.
2. By bending, adjust the position of the shut-off detection lever so that the specified clearance is obtained. After adjustment, by locking and releasing the forward button, make sure the muting switch securely turns on and off.



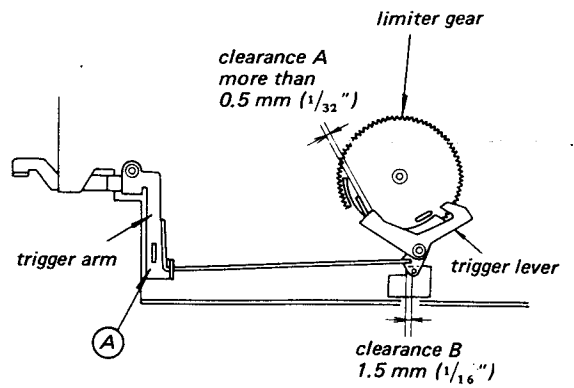


**Trigger Arm Position Adjustment**

— Playback mode —

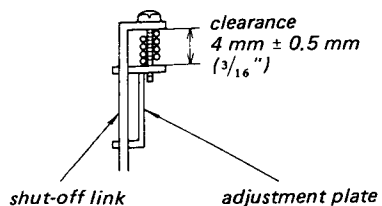
**Note:** This adjustment should be made with front panel installed to insure the positions of function buttons.

1. Turn the POWER on and press the forward button.
2. Adjust the position of the trigger arm by bending portion (A) so that the clearance A is satisfied.
3. Turn the POWER off.
4. Fully press the forward button and make sure the clearance B exists.

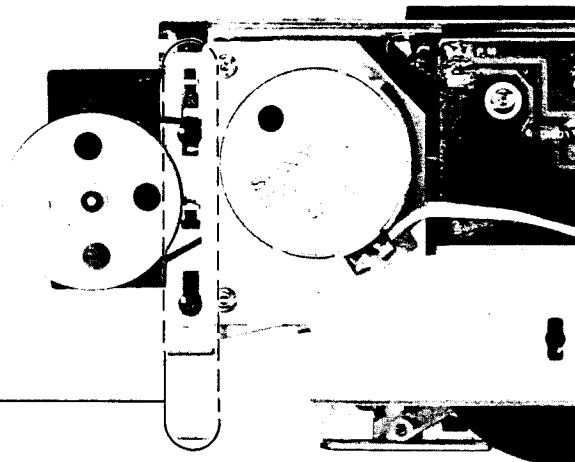
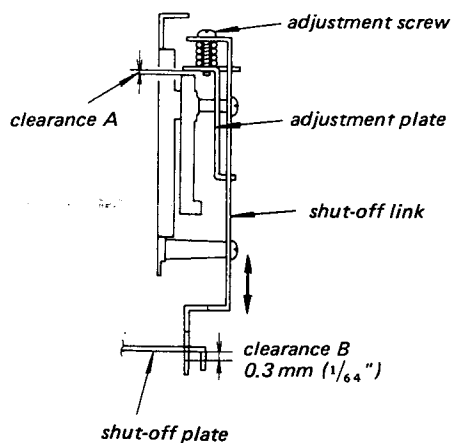


### Shut-off Link Position Adjustment

**Note:** When the adjustment plate or adjustment link is replaced, assemble them first so that the clearance between the tops of them becomes in  $4 \text{ mm} \pm 0.5 \text{ mm}$  ( $3/16''$ ).

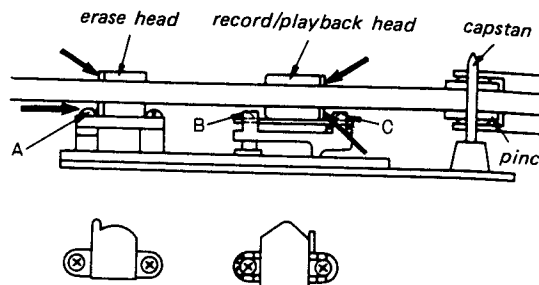
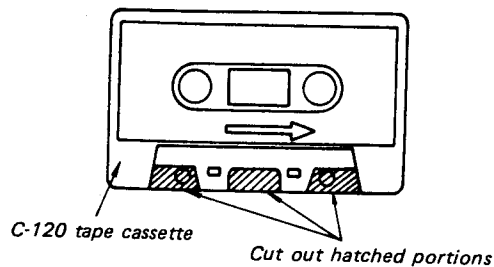


1. Make sure that clearance A exists in stop mode.
2. Lock the forward button. Adjust the adjustment screw so that the clearance B becomes in 0 (zero) mm.
3. Tighten the adjustment screw  $3/4$  turns so that the clearance B becomes in  $0.3 \text{ mm}$  ( $1/64''$ ).
4. Lock the record and forward buttons simultaneously (i.e., record mode) and make sure the clearance B is more than  $0.2 \text{ mm}$ .
5. After the adjustment, lock the top and bottom of the adjustment screw with screw-locking paint.



## Head Height Adjustment

1. Prepare an adjustment cassette as shown below.

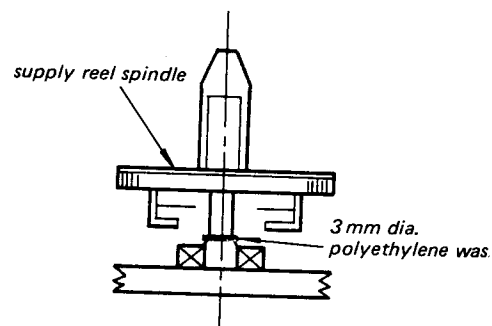


2. Set the unit to the play mode. Adjust the head heights to eliminate tape curl and tape twist at the portions shown by the arrows, turning screws of A, B and C.

## Torque Measurement and FWD Back Tension Adjustment

1.

Torque	Torque meter	Meter reading
Forward	CQ-102C	30 - 60 g·cm (0.42 - 0.83 oz·inch)
Take-up Side Brake	brake-torque meter	5 - 10 g·cm (0.07 - 0.14 oz·inch)
Forward Back Tension	CQ-102C	5 - 8 g·cm (0.07 - 0.12 oz·inch)



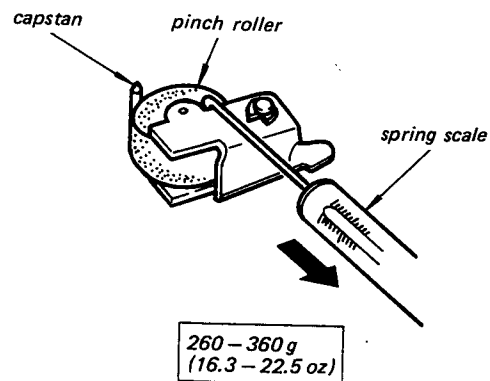
2. Adjust forward back tension, by using polyethylene washer as shown on the right.

3 mm dia. Polyethylene Washer;  
 3-827-525-01 (t=0.3)  
 3-701-439-01 (t=0.13)  
 3-701-439-11 (t=0.25)

## Pinch Roller Pressure Adjustment

### Procedure;

1. Clean the pinch roller and the capstan.
2. Set the unit to the forward mode. Measure pinch roller pressure by using the spring scale. Read the spring scale just when the pinch roller stops rotating without contacting the capstan.





### 3-2. ELECTRICAL ADJUSTMENTS

**Note:** The adjustment should be performed in the order given in this service manual. The adjustments should be performed for both L-CH and R-CH.

- Set the TAPE switches according to the tape as follows.

Tape	TAPE switch
CS-10	TYPE I
CS-20	TYPE II
CS-30	TYPE III
CS-40	TYPE IV

- Switches and controls should be set as follows unless otherwise specified.

DOLBY NR switch:                   OFF  
TAPE switch:                           TYPE I

- Standard Record:  
Deliver the standard input signal level to the input jack and set the REC LEVEL control to obtain the standard output signal level.

#### Standard Input Level

	MIC	LINE IN
source impedance	300 $\Omega$	50 k $\Omega$
input level	0.25 mV (-70 dB)	77.5 mV (-20 dB)

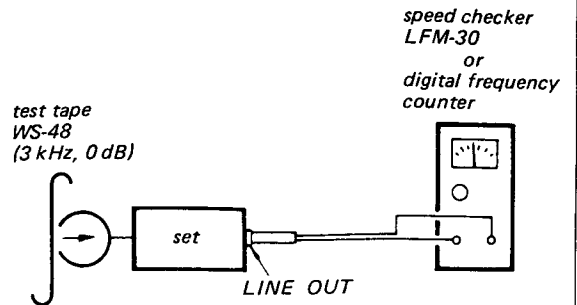
#### Standard Output Level

	HEAD- PHONES	LINE OUT
load impedance	8 $\Omega$	47 k $\Omega$
output level	31 mV (-28 dB)	0.435 V (-5 dB)

#### Tape Speed Adjustment

##### Procedure:

Mode: playback

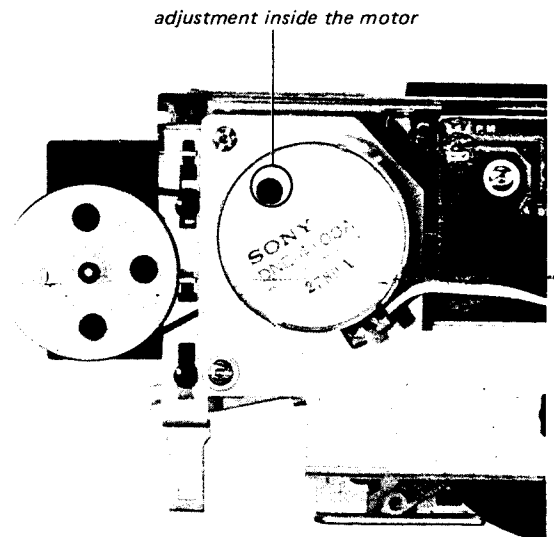


##### Specification:

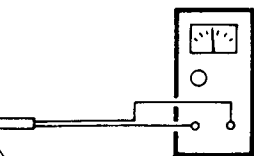
Speed checker	Digital frequency counter
-0.17 ~ +0.17%	2,995 ~ 3,005 Hz

Frequency difference between the beginning and the end of the tape should be within 0.34% (10 Hz).

##### Adjustment Location:



speed checker  
LFM-30  
or  
digital frequency  
counter

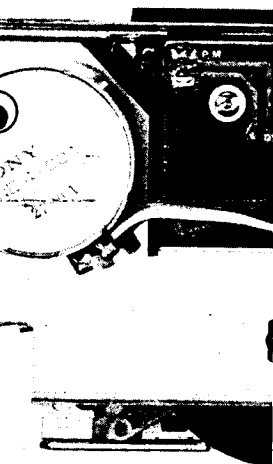


LINE OUT

Digital frequency counter  
2,995 ~ 3,005 Hz

... between the beginning  
... should be within 0.34%

... inside the motor

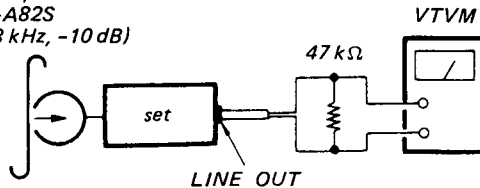


**Record/playback Head Azimuth Adjustment**

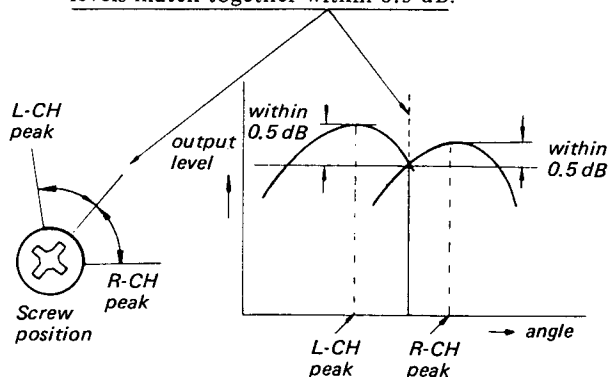
**Procedure:**

1. Mode: playback

test tape  
P-4-A82S  
(6.3 kHz, -10 dB)

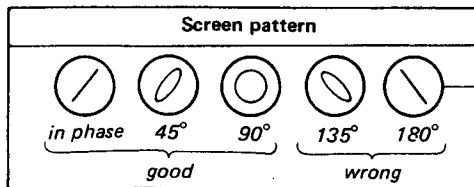
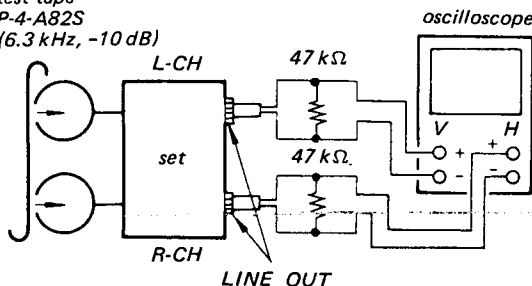


2. Turn the adjustment screw for the maximum output levels. If these levels do not match, turn the adjustment screw until both of output levels match together within 0.5 dB.

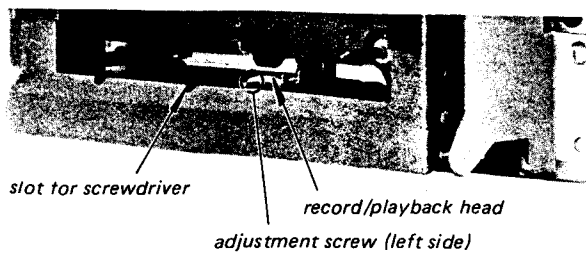


3. Phase Check  
Mode: playback

test tape  
P-4-A82S  
(6.3 kHz, -10 dB)



**Adjustment Location:**

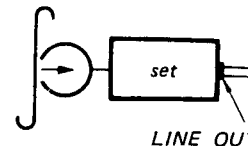


**Playback Level Adjustment**

**Procedure:**

- Mode: playback

test tape  
P-4-L81  
(333 Hz, 0 dB)



**Specification:**

LINE OUT level: 0.52  
(-3.5)

Level difference between  
less t

Check that the LIN  
change in playback m  
mode from playback t

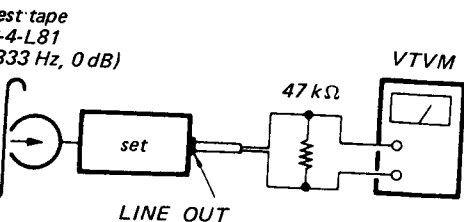
**Adjustment Location:**

- audio board -



### Record Level Adjustment

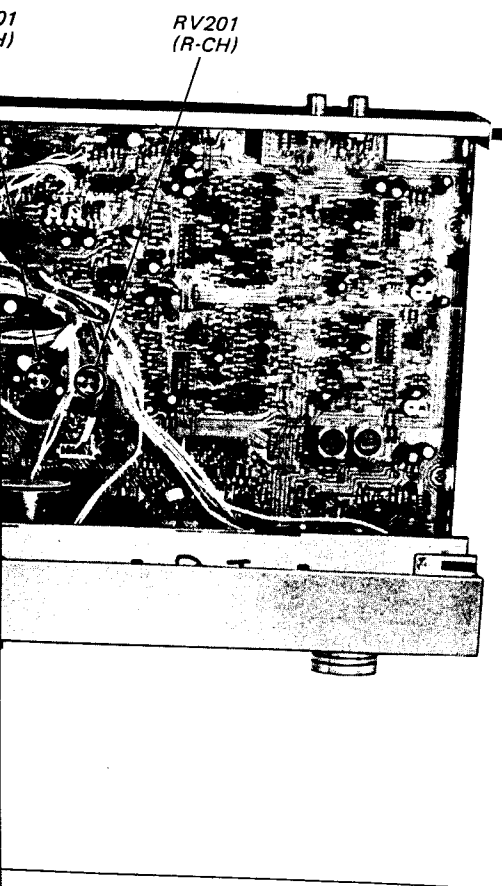
Mode: playback



Specification:  
 LINE OUT level: 0.52 ~ 0.59 V  
 (-3.5 ~ -2.5 dB)  
 Level difference between channels:  
 less than 0.5 dB

Note: Check that the LINE OUT level does not change in playback mode while changing the mode from playback to stop several times.

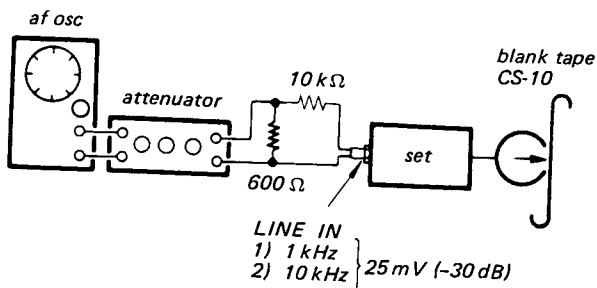
Adjustment Location:  
 - audio board -



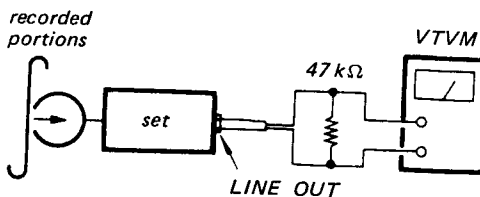
### Record Bias Adjustment

Setting:  
 REC LEVEL control: standard record  
 (See page 15)

Procedure:  
 1. Mode: record

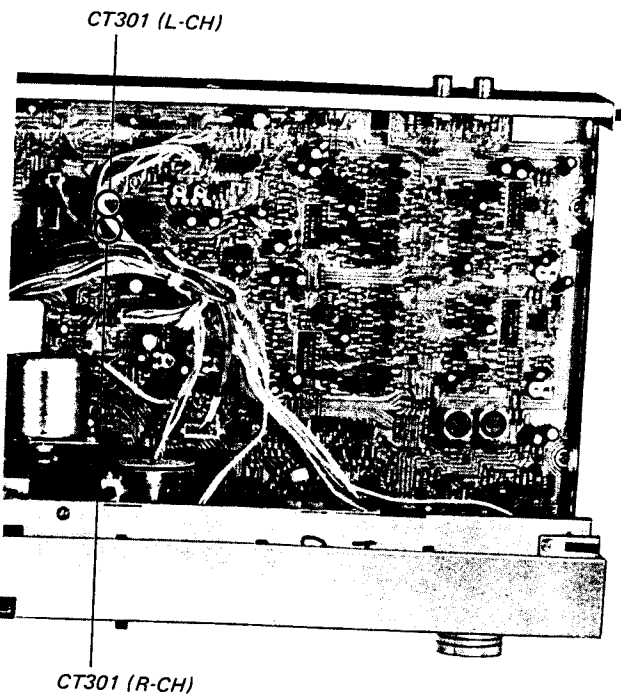


2. Mode: playback



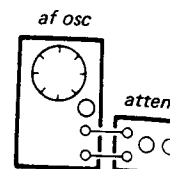
Adjust CT301 (L-CH) and CT301 (R-CH) so that the LINE OUT level of 10 kHz signal is 0 dB relative to that of 1 kHz.

Adjustment Location:  
 - audio board -

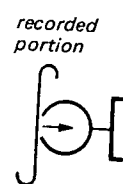


Record Level A  
 Setting:  
 REC LEV

Procedure:  
 1. Mode: re



2. Mode: pla

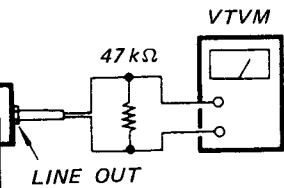
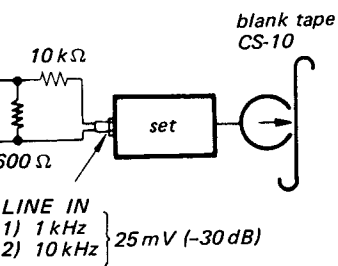


Specification:  
 LINE OUT

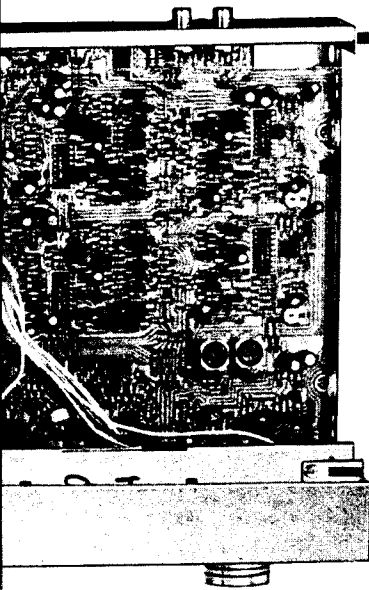
Adjustment Loca  
 - audio board -



Control: standard record  
(See page 15)



RV103 (L-CH) and CT301 (R-CH) so that the level of 10 kHz signal is the same as that of 1 kHz.



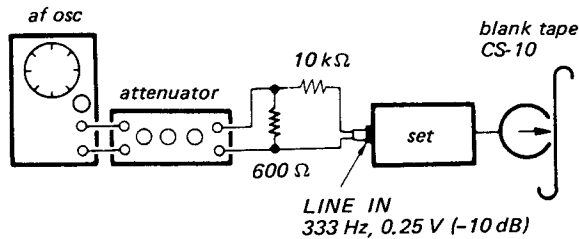
**Record Level Adjustment**

**Setting:**

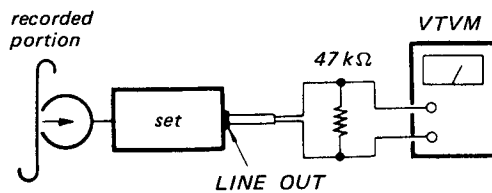
REC LEVEL control: standard record  
(See page 15)

**Procedure:**

1. Mode: record



2. Mode: playback

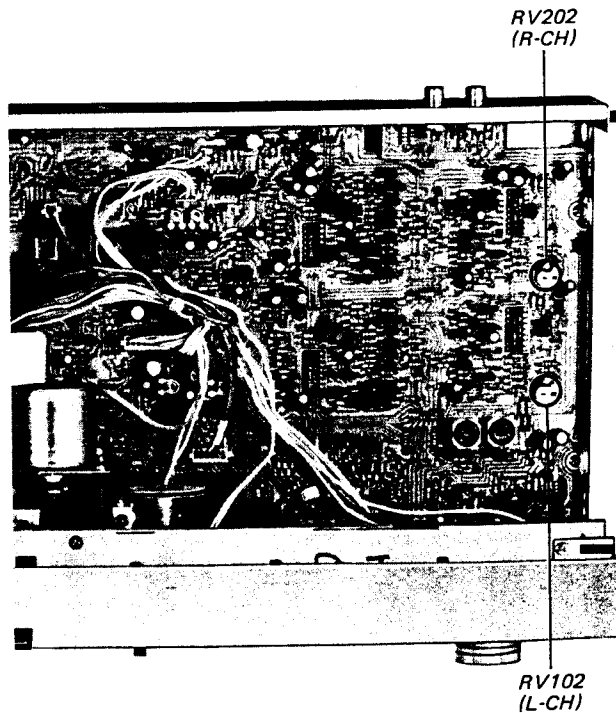


**Specification:**

LINE OUT level: 0.41 ~ 0.46 V  
(-5.5 ~ -4.5 dB)

**Adjustment Location:**

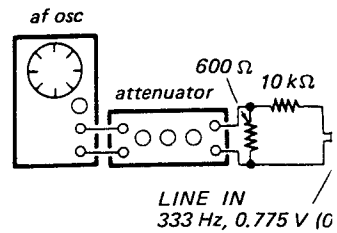
- audio board -



**Level Meter Calibration**

**Procedure:**

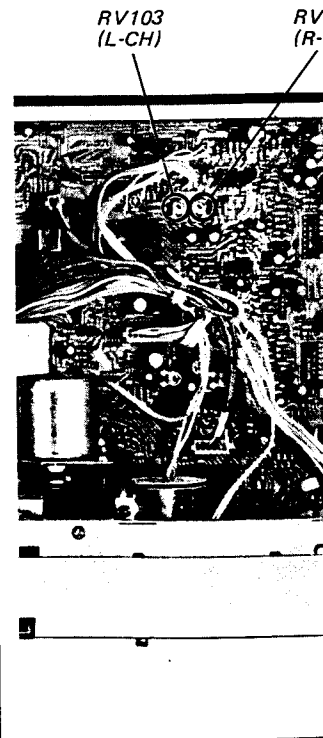
1. Mode: record



1. Set the REC LEVEL control so that the meter reading is -5 dB.
2. Adjust RV103 (L-CH) so that the meter reading is 0 dB.

**Adjustment Location:**

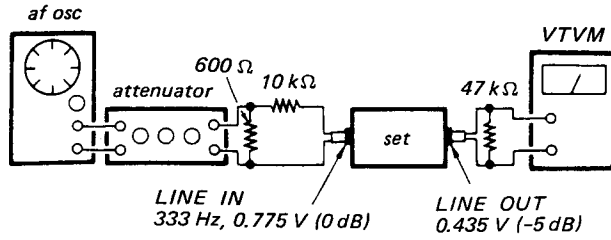
- audio board -



**Level Meter Calibration**

**Procedure:**

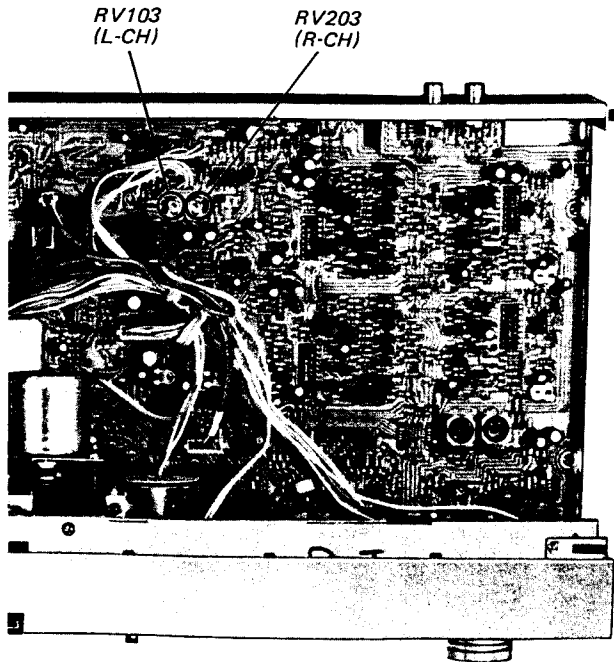
1. Mode: record



1. Set the REC LEVEL control so that the LINE OUT level is -5 dB.
2. Adjust RV103 (L-CH) and RV203 (R-CH) so that the meter reading becomes 0 VU.

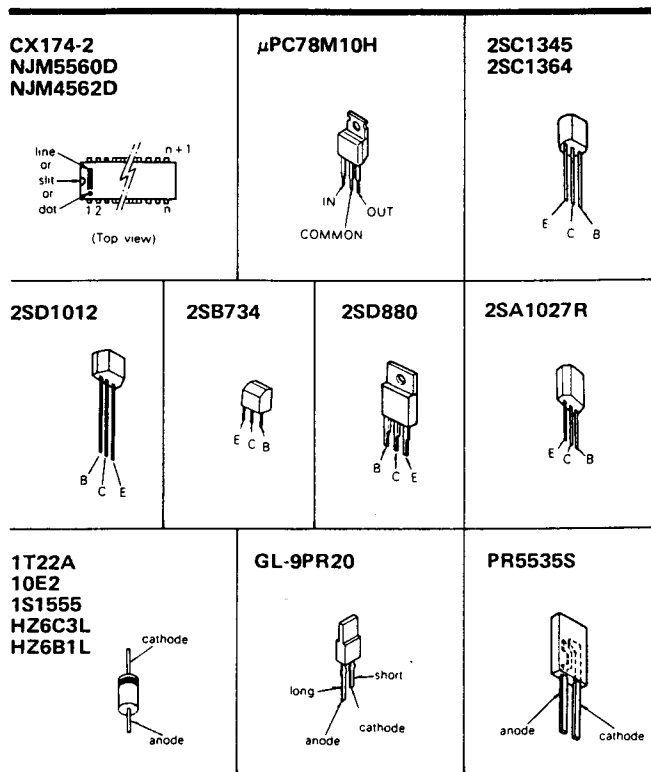
**Adjustment Location:**

- audio board -



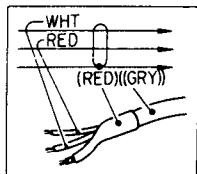
SECTION 4  
DIAGRAMS

● Semiconductor Lead Layouts:

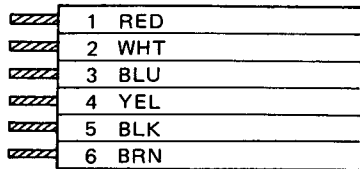


Note:

- Color code of sleeving over the end of the jacket.



- Standard six-wire (maximum) flat cable arrangement.



- ○ : parts extracted from the components side.
- ● : parts extracted from the conductor side.
- □ : indicates side identified with part number.
- B+ pattern

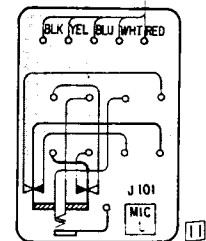
- → : signal path
- → : L-CH signal path
- → : R-CH signal path

4-1. MOUNTING DIAGRAM

— Conductor Side —

1  
2  
3  
4  
5

Q, IC	D
IC 303	
211 317	306 316
	317
111 316 315 314	307
	318
	319
210 IC 302	201 320
	325 321
	326 322
	324 323
IC 202 209	
	101
208	
207	
IC201	
212 206	
213	327
205	
	313
214 204 309	
	310
	311 312 301 308
110 313 302	312 315 314
	331
IC 102	301
	311
109 303 310	
108 305	
107	
112 106 IC 101	
113	
	304
	305
	308
114 105 307 306	303
104	
IC 301	
	329
	D1001
	330 302
203 103	
	304
201	
101	
202	
102	



[MIC JACK BOARD (A)]

A

B

C

4-1. MOUNTING DIAGRAM

- Conductor Side -

1

2

3

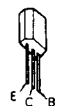
4

5

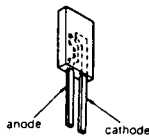
2SC1345  
2SC1364



2SA1027R

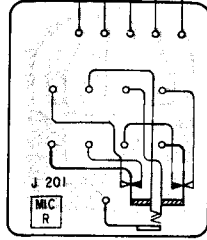
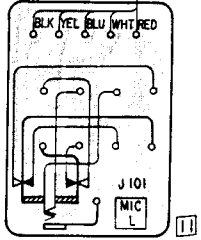
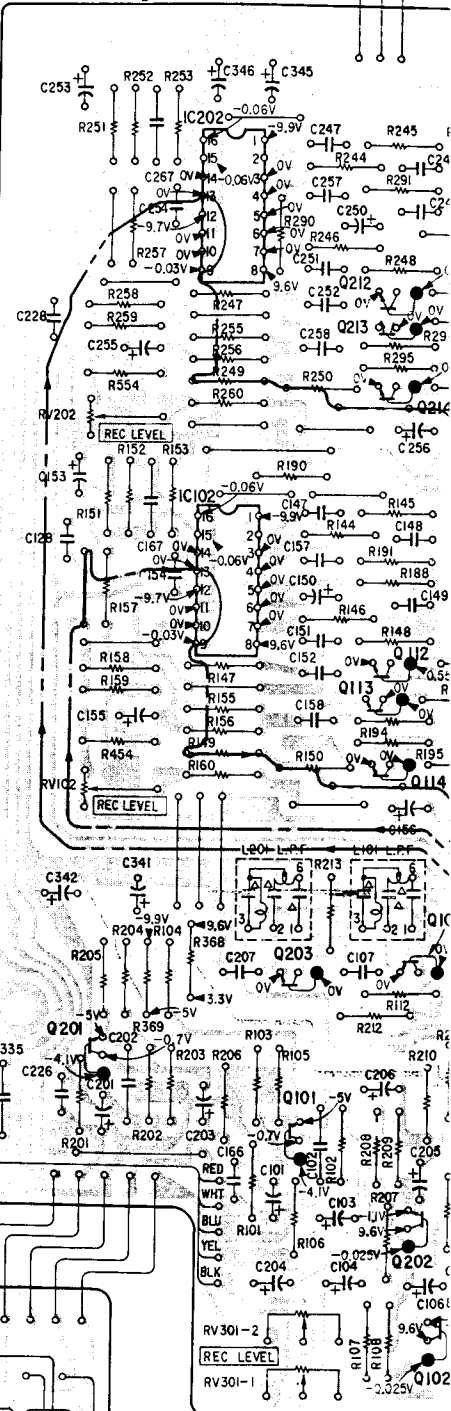


PR5535S



Q, IC	D
IC 303	
211 317	306 316
	317
111 316 315 314	307
	318
	319
210 IC 302	201 320
	325 321
	326 322
	324 323
IC 202 209	
	208 101
	207
	IC201
212 206	
213 205	327
	313
214 204 309	310
	311 312
	301 308
110 313 302	312 315 314
	331
IC 102	301
	311
109 303 310	
108 305	
107 106 IC 101	
113	304
	305
	308
114 105 307 306	303
104	
IC 301	
	329
	D1001
	330 302
203 103	
	304
201	
101	
202	
102	

[MAIN BOARD]



[MIC JACK BOARD (A)]

[MIC JACK BOARD (B)]

C

D

E

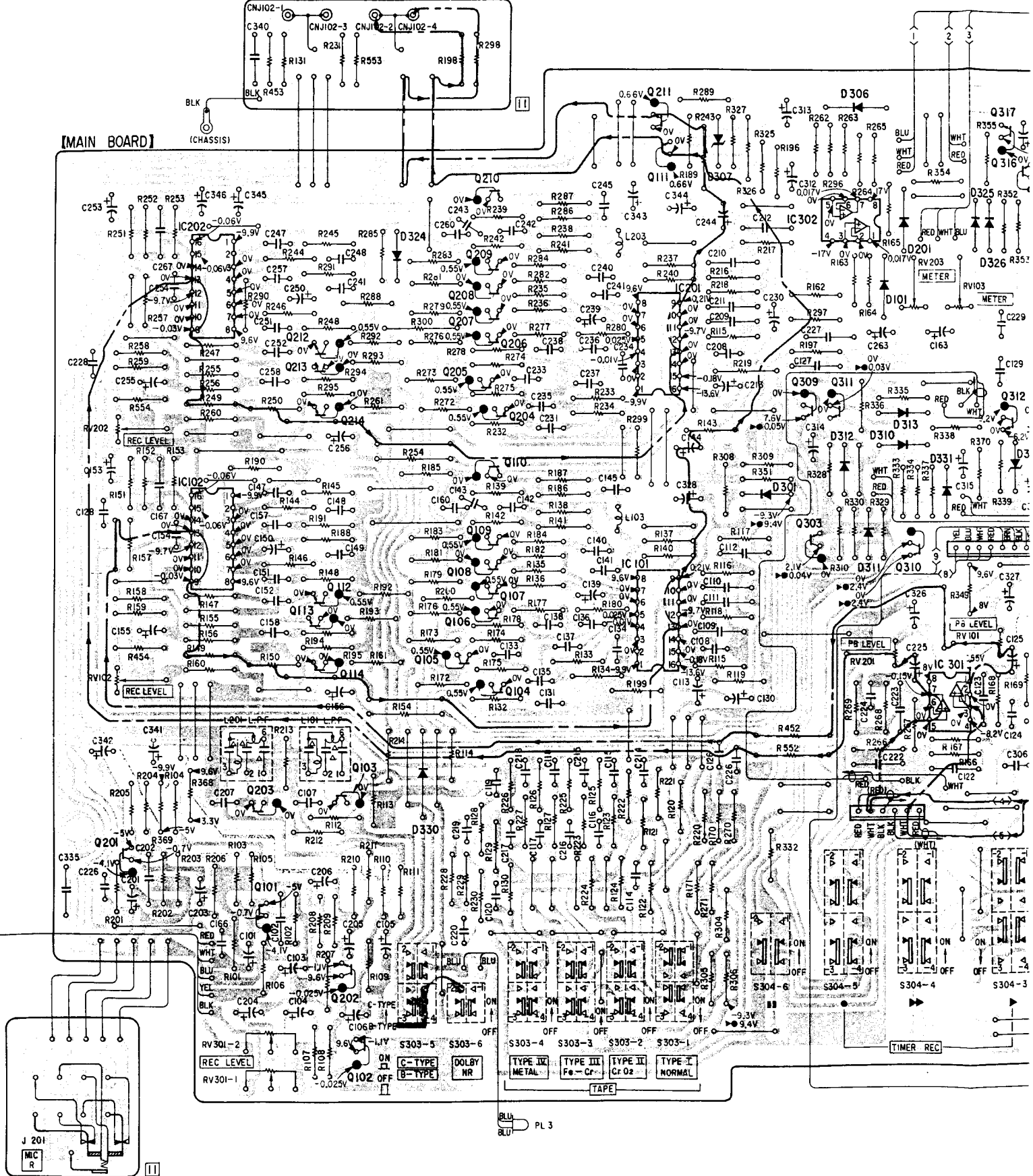
F

L-CH LINE OUTPUT R-CH LINE OUTPUT

LINE IN LINE OUT INPUT/OUTPUT BOARD

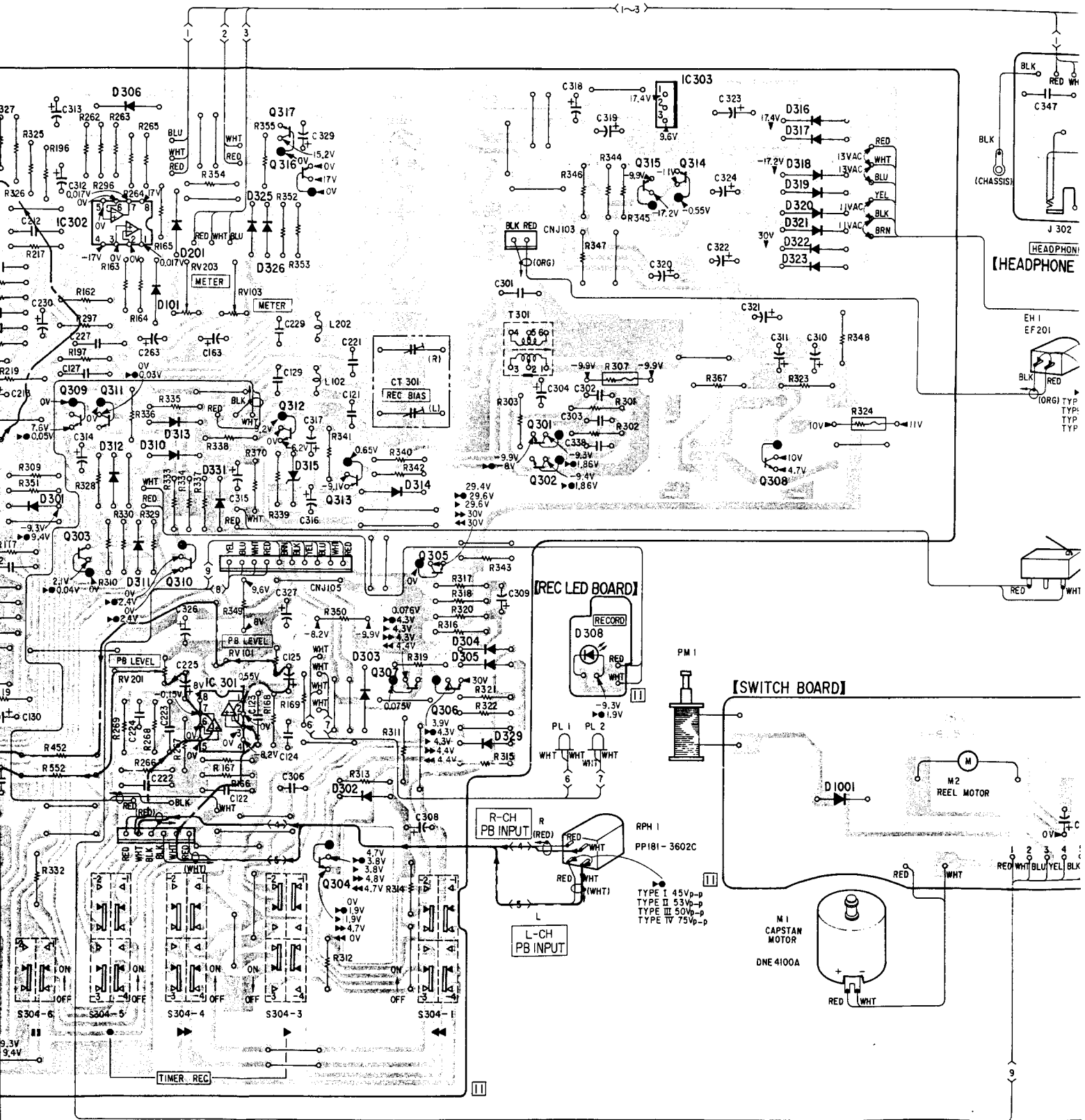
MAIN BOARD

(CHASSIS)



MIC JACK BOARD(B)



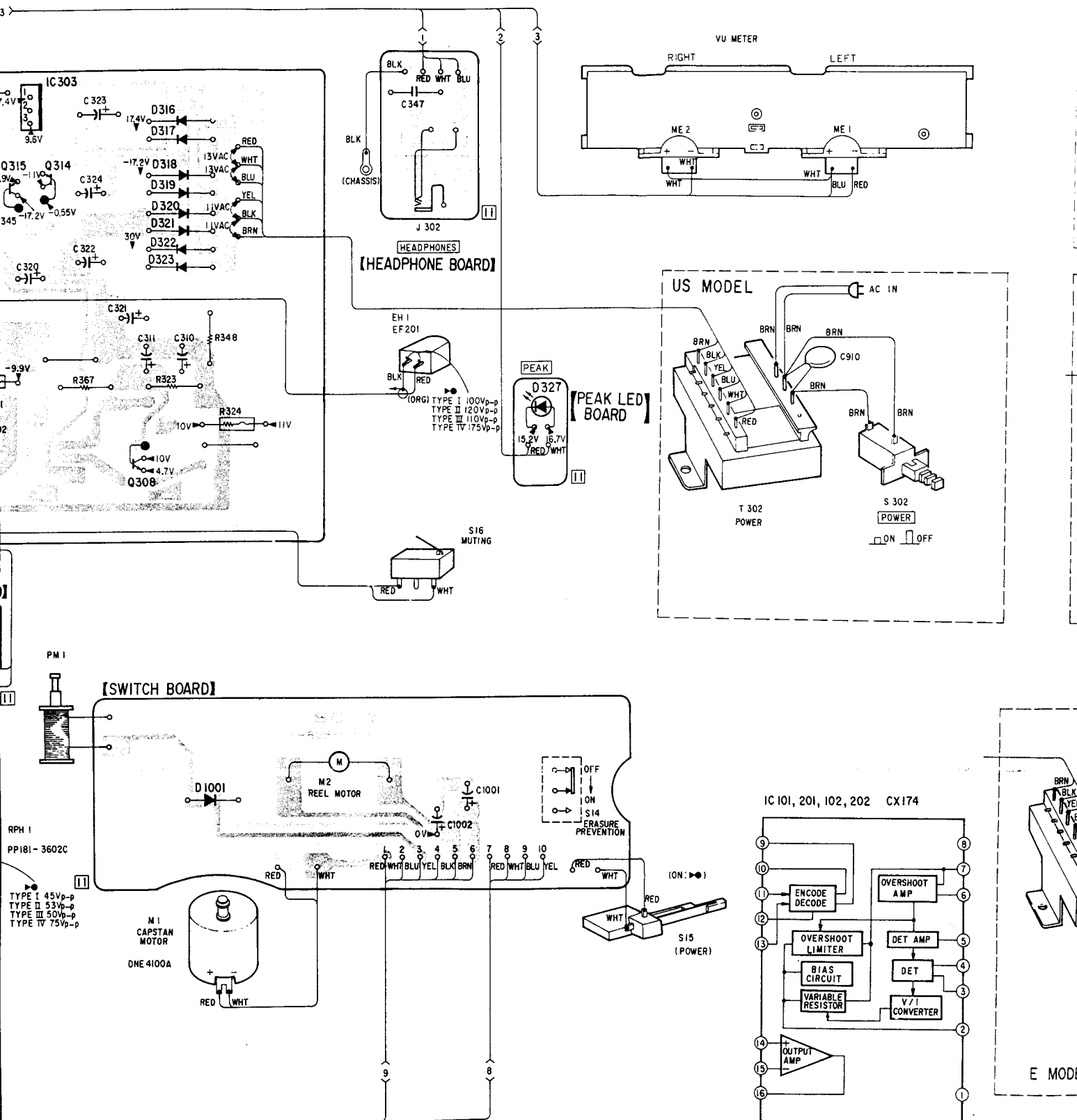


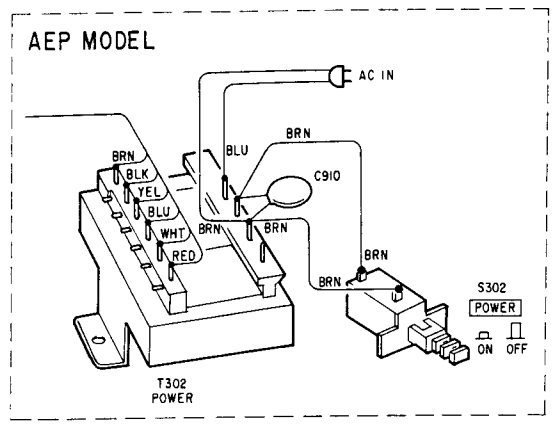
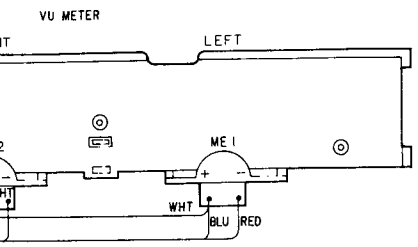
H

I

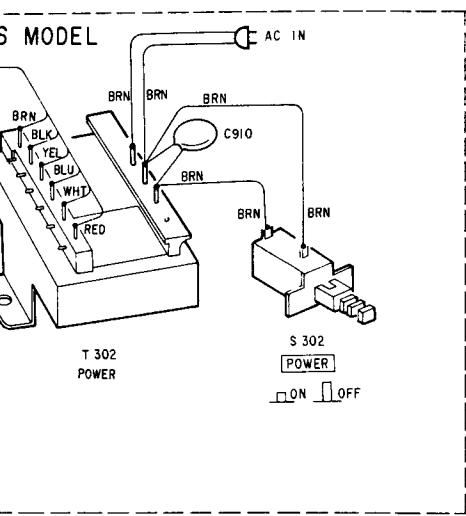
J

K

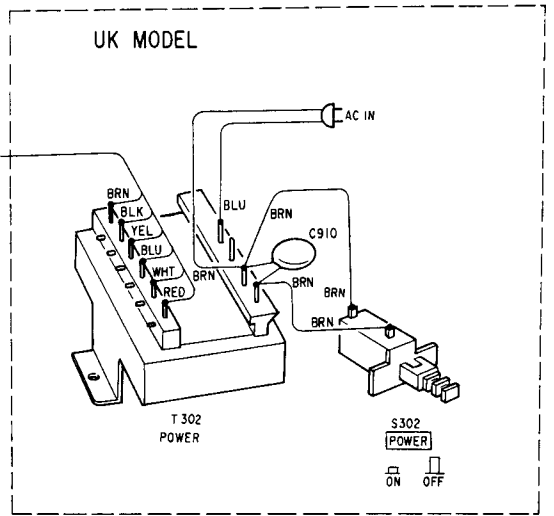




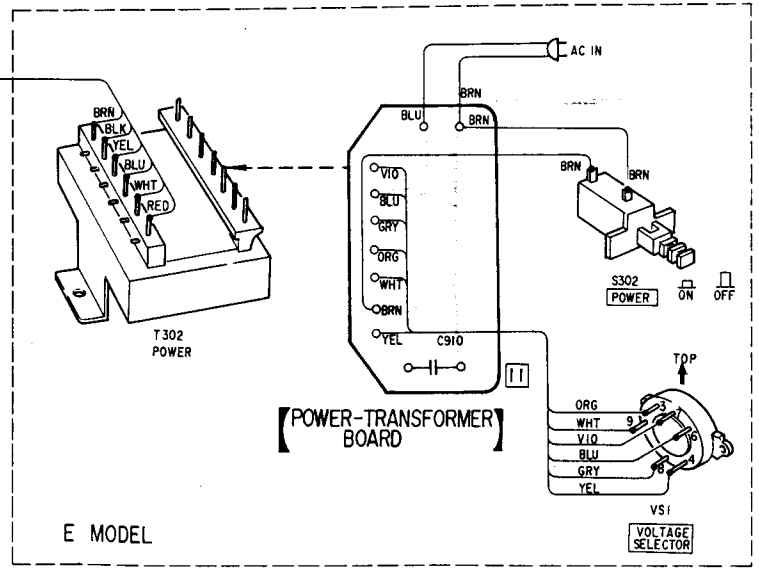
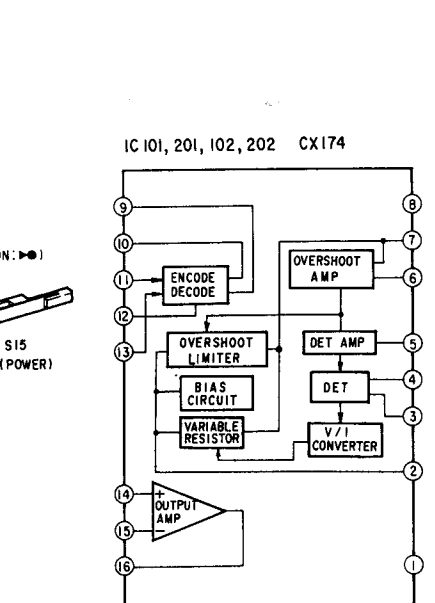
1



2



3



4

5

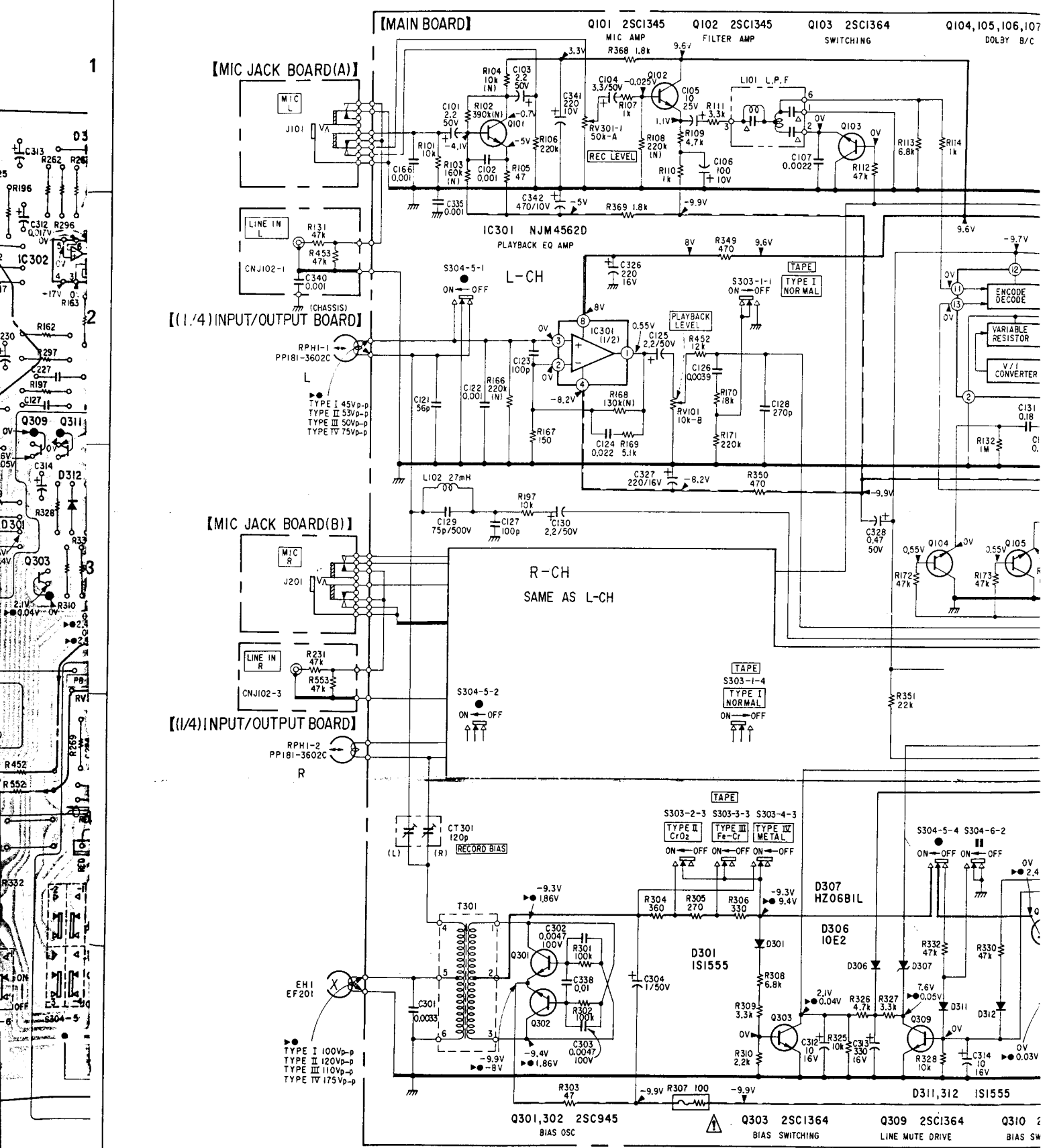
A

B

C

D

4.2. SCHEMATIC DIAGRAM



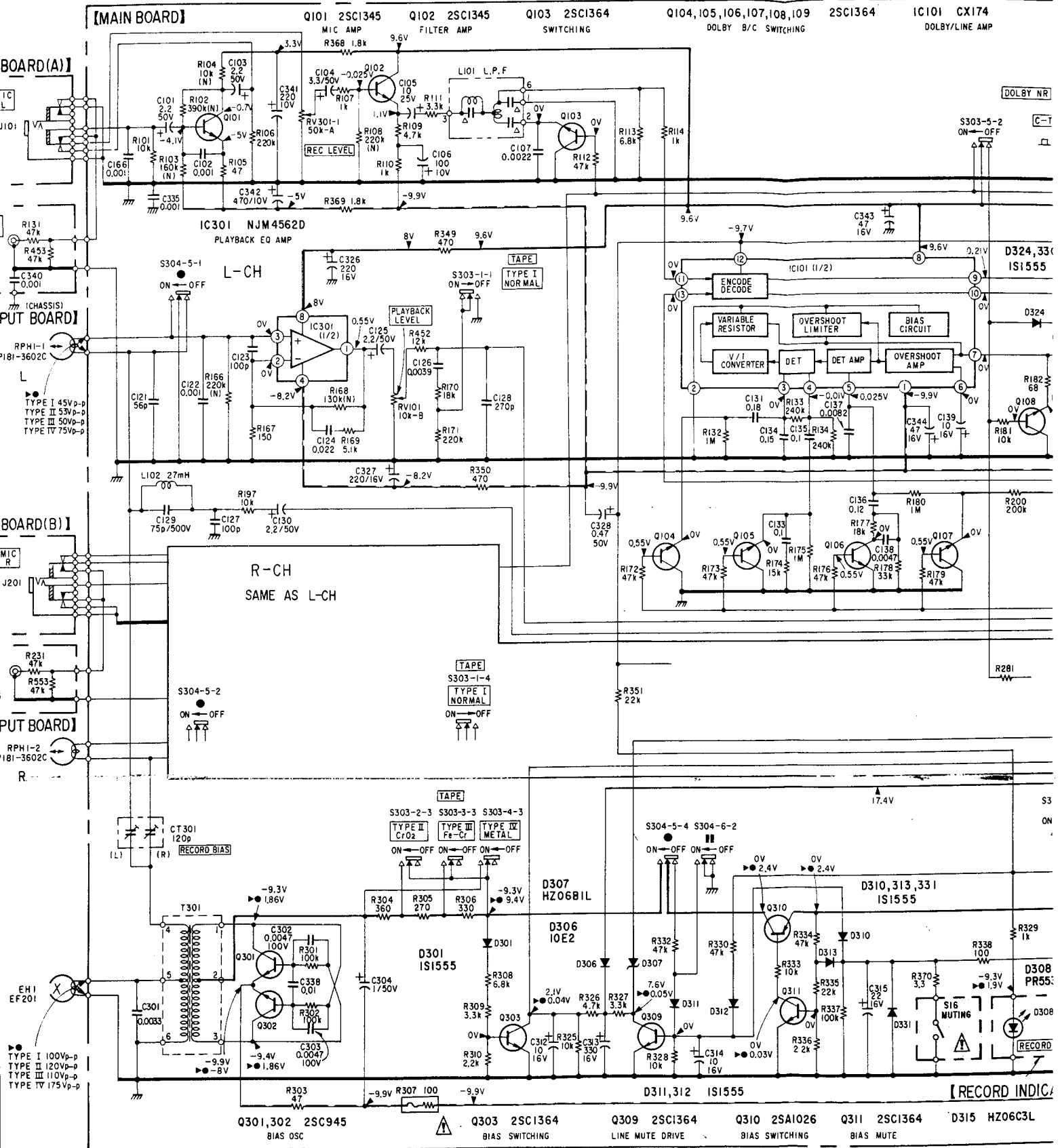
B

C

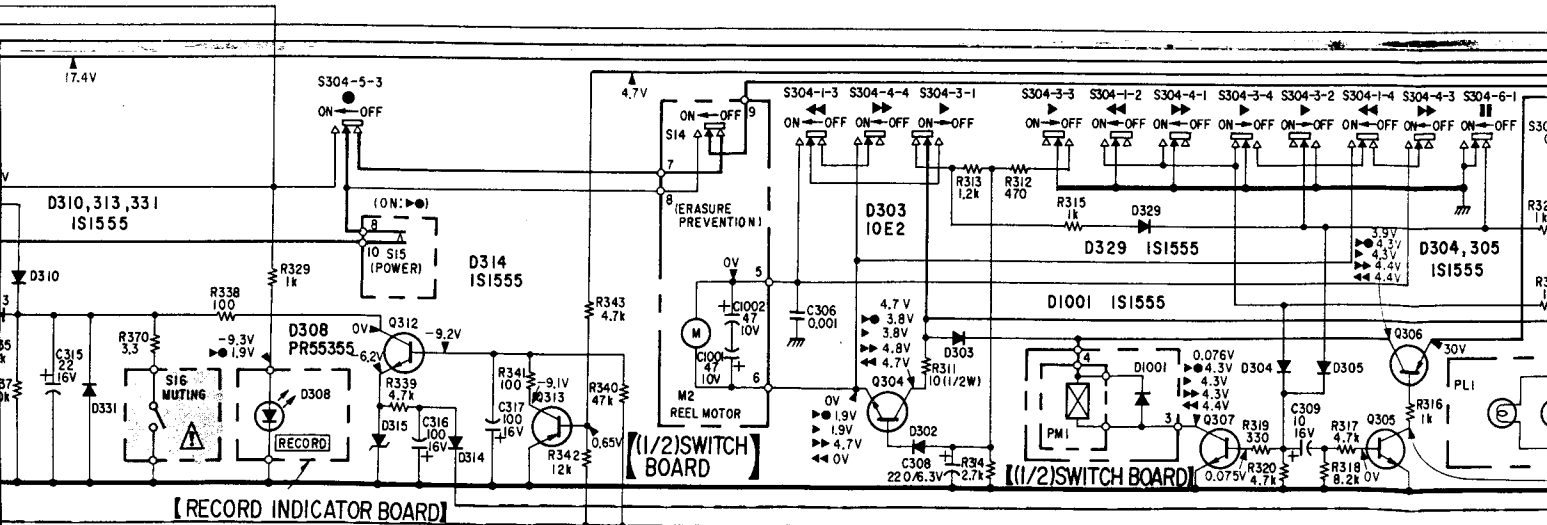
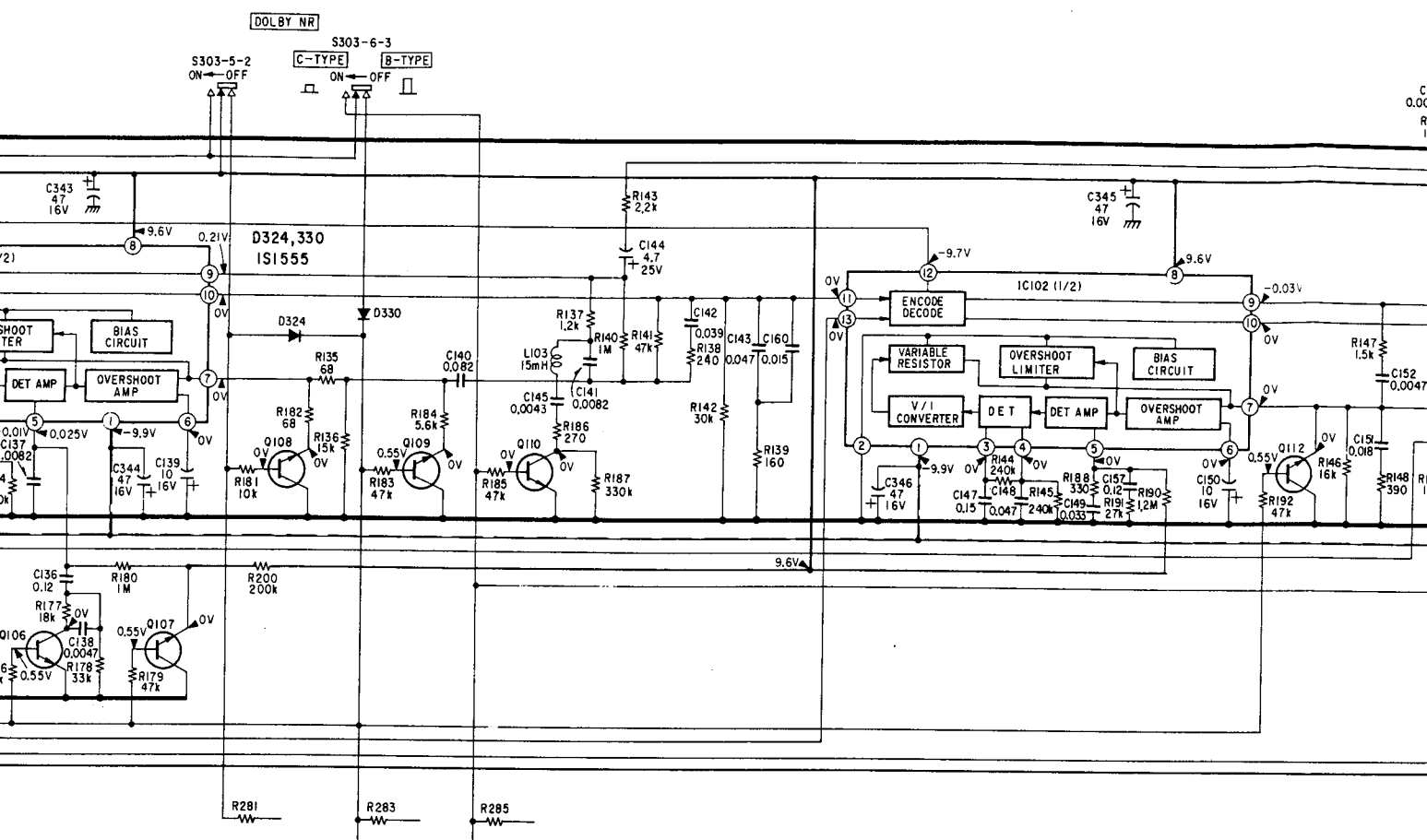
D

E

DIAGRAM



25C1364 IC101 CX174 DOLBY/LINE AMP Q110 25C1364 MUTING IC102 CX174 DOLBY/LINE AMP Q112 25C1364 SWITCHING

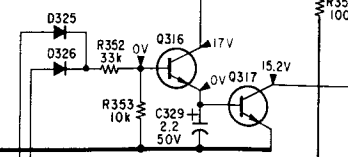
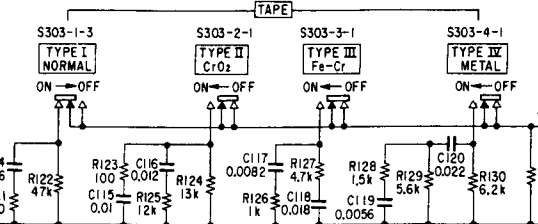


Q311 25C1364 BIAS MUTE D315 HZ06C3L Q312 25C1364 MUTING DRIVE Q313 25A1026 MUTING Q304 25D1012 REEL MOTOR DRIVE D302 IS1555 Q307 25D1012 SOLENOID DRIVE Q305 25C1364 SOLENOID CONTROL Q306 25B SOLENOID KIT

Q112 2SC1364  
SWITCHING

Q316,317 2SC1364  
LED DRIVE

D325,326  
IS1555

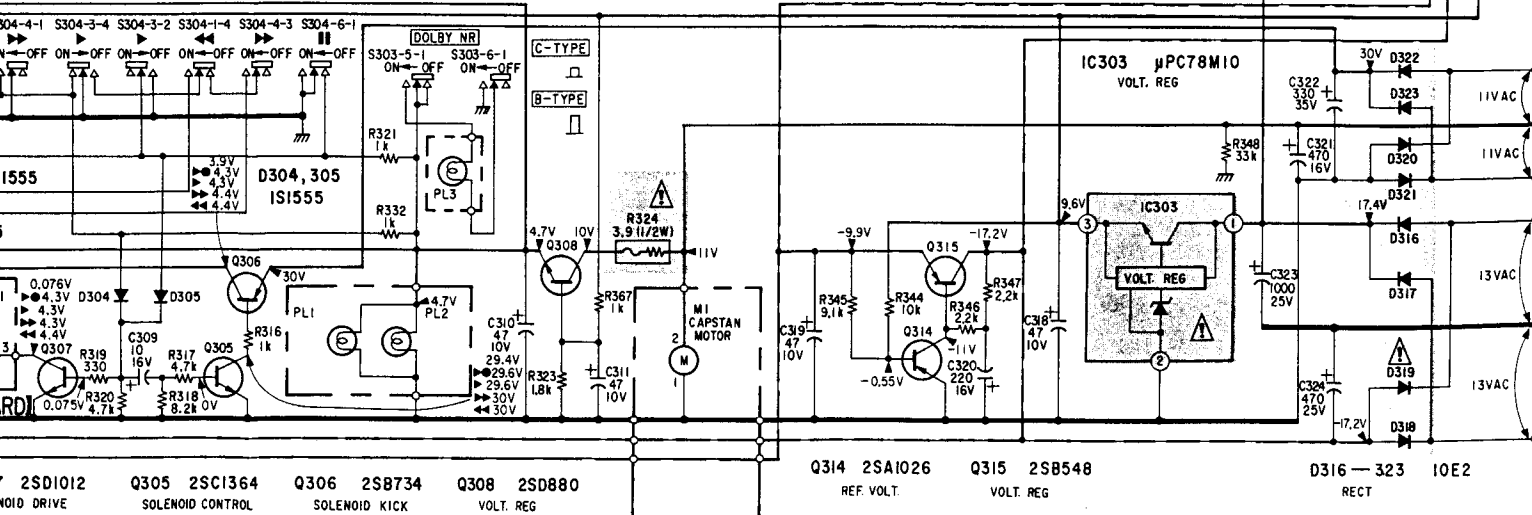
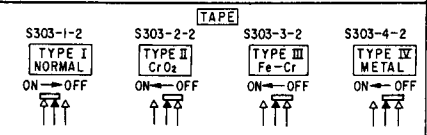
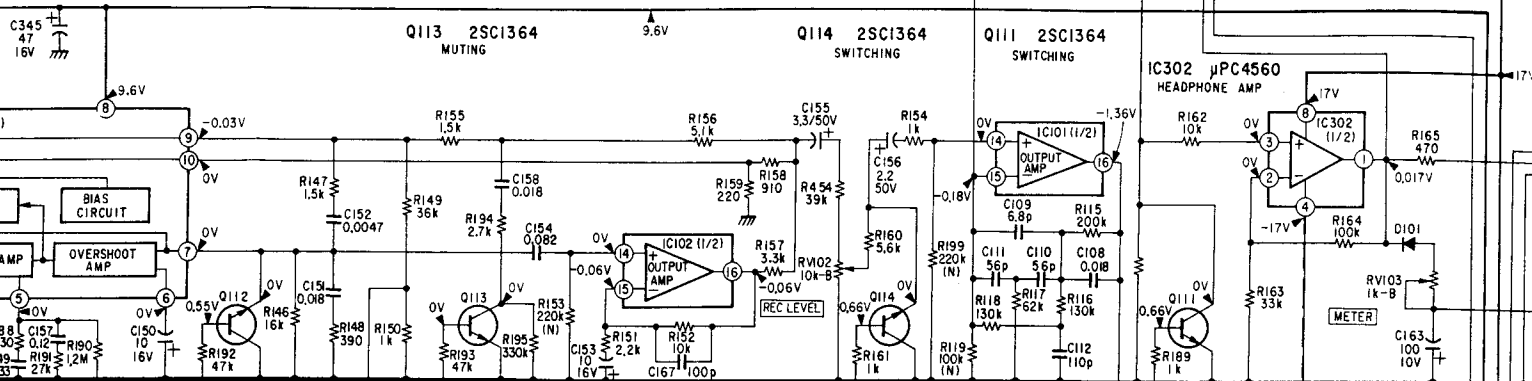


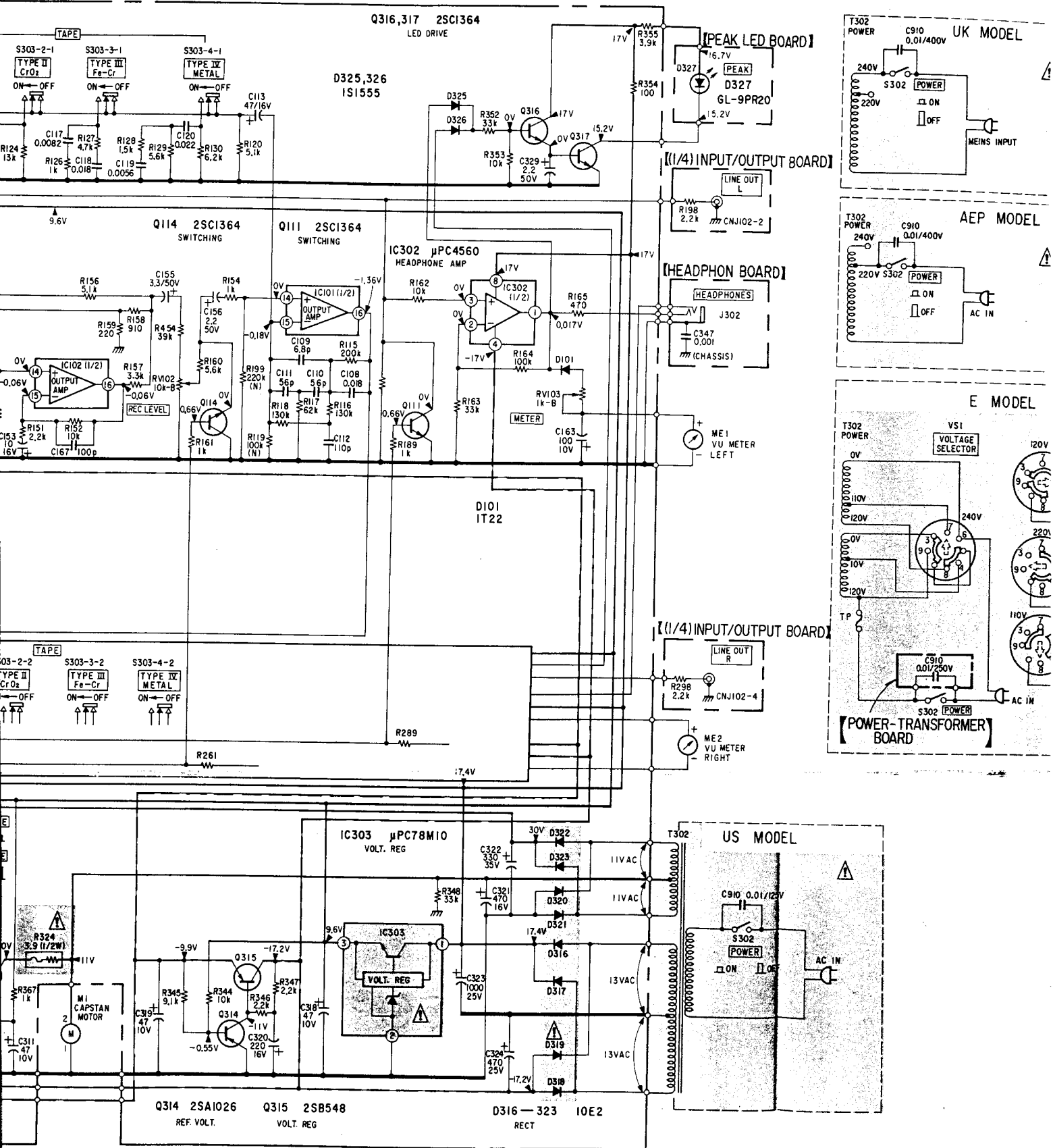
Q113 2SC1364  
MUTING

Q114 2SC1364  
SWITCHING

Q111 2SC1364  
SWITCHING

IC302  $\mu$ PC4560  
HEADPHONE AMP







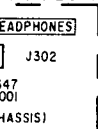
PEAK LED BOARD



INPUT/OUTPUT BOARD

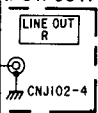


PHON BOARD



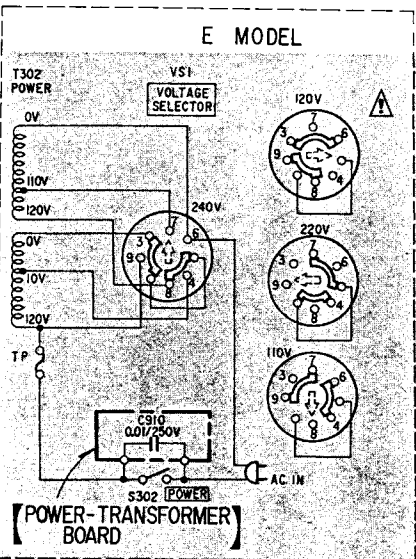
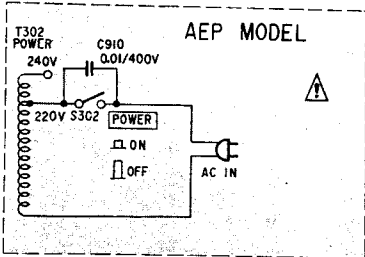
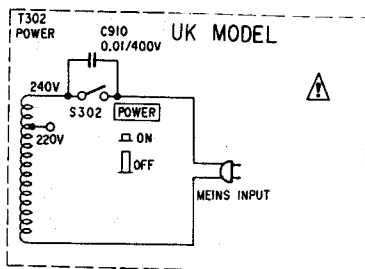
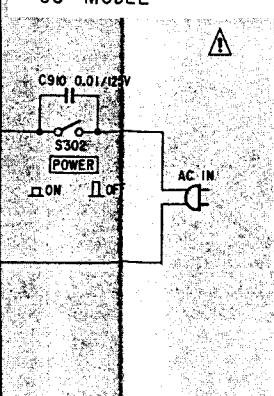
ME1 VU METER LEFT

INPUT/OUTPUT BOARD



ME2 VU METER RIGHT

US MODEL



1

2

3

4

5

Note: The components identified by shading and mark are critical for safety. Replace only with part number specified.

Note:

- All capacitors are in  $\mu\text{F}$  unless otherwise noted.  $\text{pF}$ :  $\mu\mu\text{F}$  50WV or less are not indicated except for electrolytics and tantalums.
- All resistors are in ohms,  $\frac{1}{4}$  W unless otherwise noted.  $\text{k}\Omega$ : 1000  $\Omega$ ,  $\text{M}\Omega$ : 1000  $\text{k}\Omega$
- : nonflammable resistor.
- : fusible resistor.
- : panel designation.
- : adjustment for repair.
- : B+ bus.
- : B- bus.
- Readings are taken under no-signal conditions with a VOM (50  $\text{k}\Omega/\text{V}$ ).
- no mark: STOP
- : STOP
- : FWD
- : REW
- : FF
- : REC
- : PAUSE

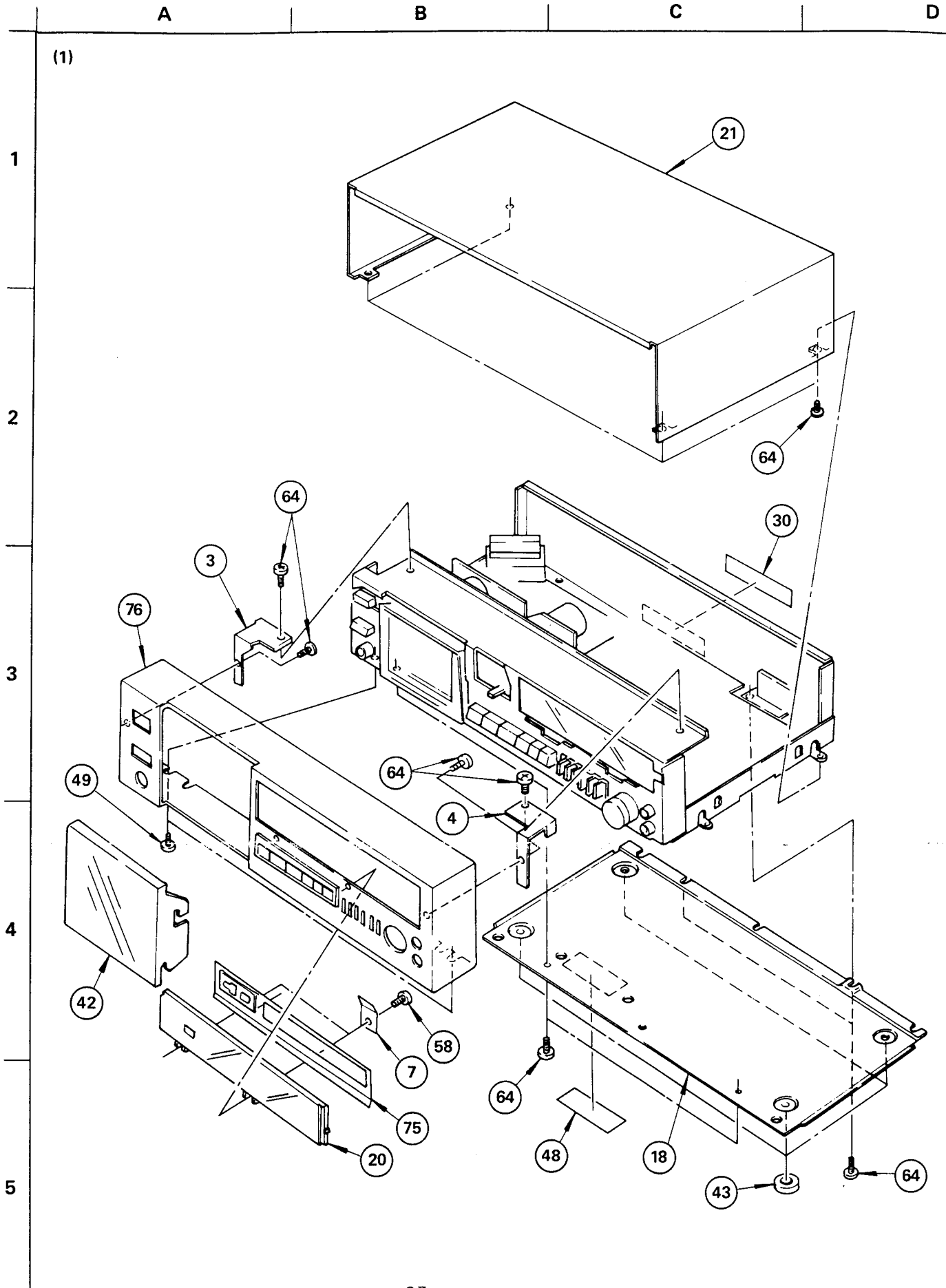
: FWD PAUSE  
: REC PAUSE

• Switches

Ref. No.	Switch	Position
S1	POWER	OFF
S2	INPUT	MIKE
S3	DOLBY NR	OFF
S4	TYPE I	OFF
S5	TYPE II	OFF
S6	TYPE III	OFF
S7	TYPE IV	OFF
S8	REWIND	OFF
S9	STOP	OFF
S10	FORWARD	OFF
S11	FAST FORWARD	OFF
S12	RECORD	OFF
S13	PAUSE	OFF
S14	ERASURE PREVENTION	OFF
S15	FORWARD POWER	OFF
S16	MUTING	OFF

Note: Voltages are measured with a VOM (50k $\Omega$ /V).

SECTION 5  
EXPLODED VIEWS AND PARTS LIST



A

B

C

D

(2)

1

1

2

2

3

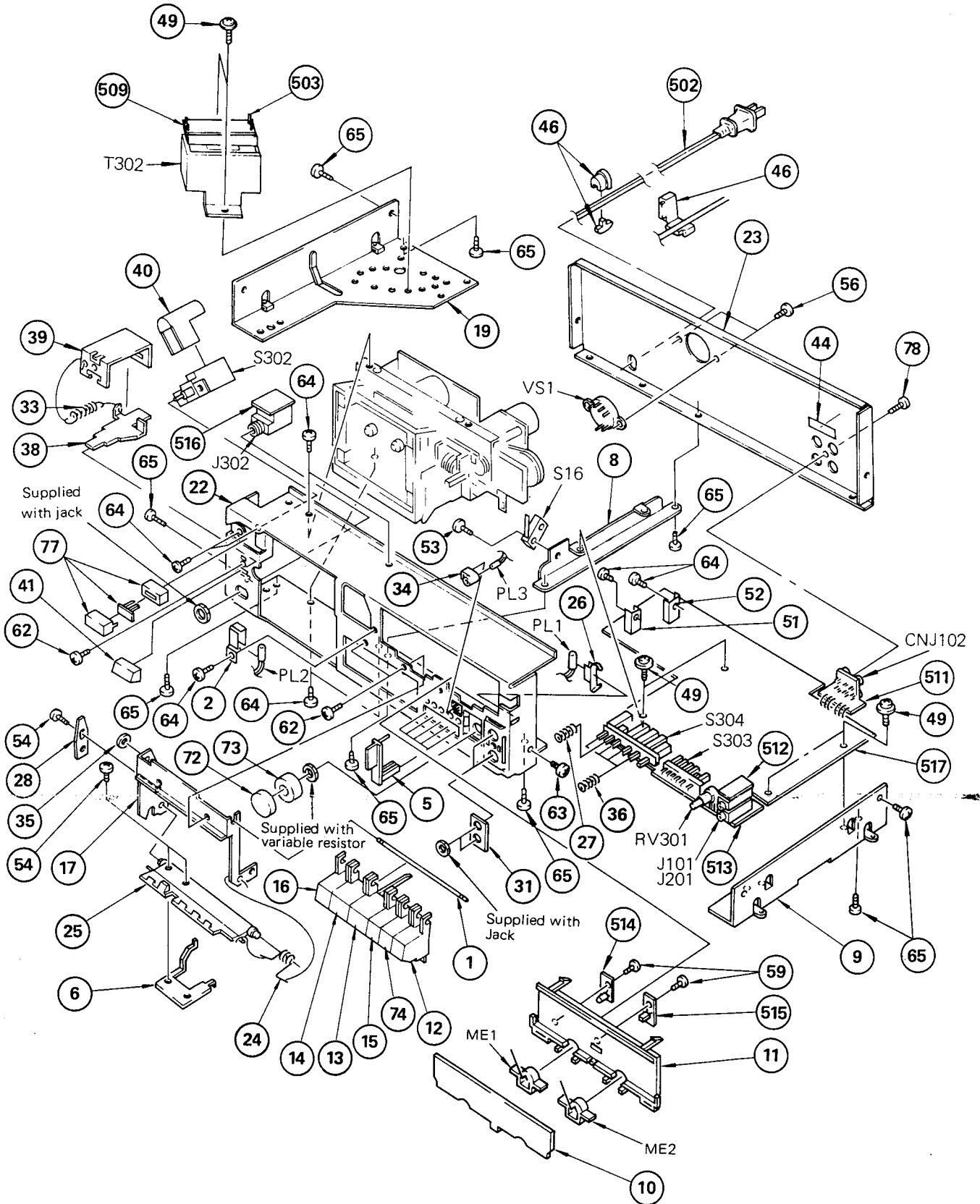
3

4

4

5

5



D

A

B

C

D

(3)

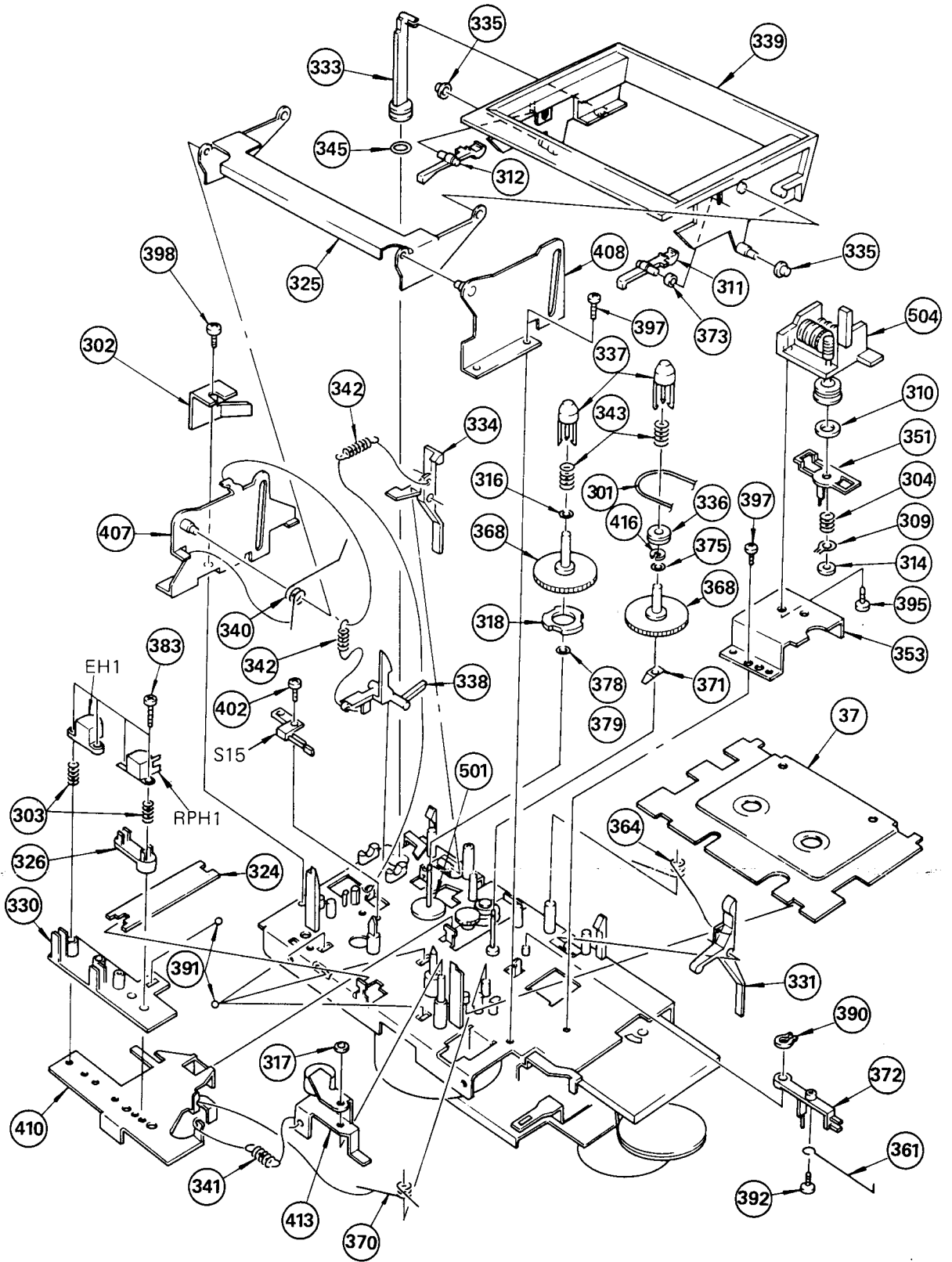
1

2

3

4

5



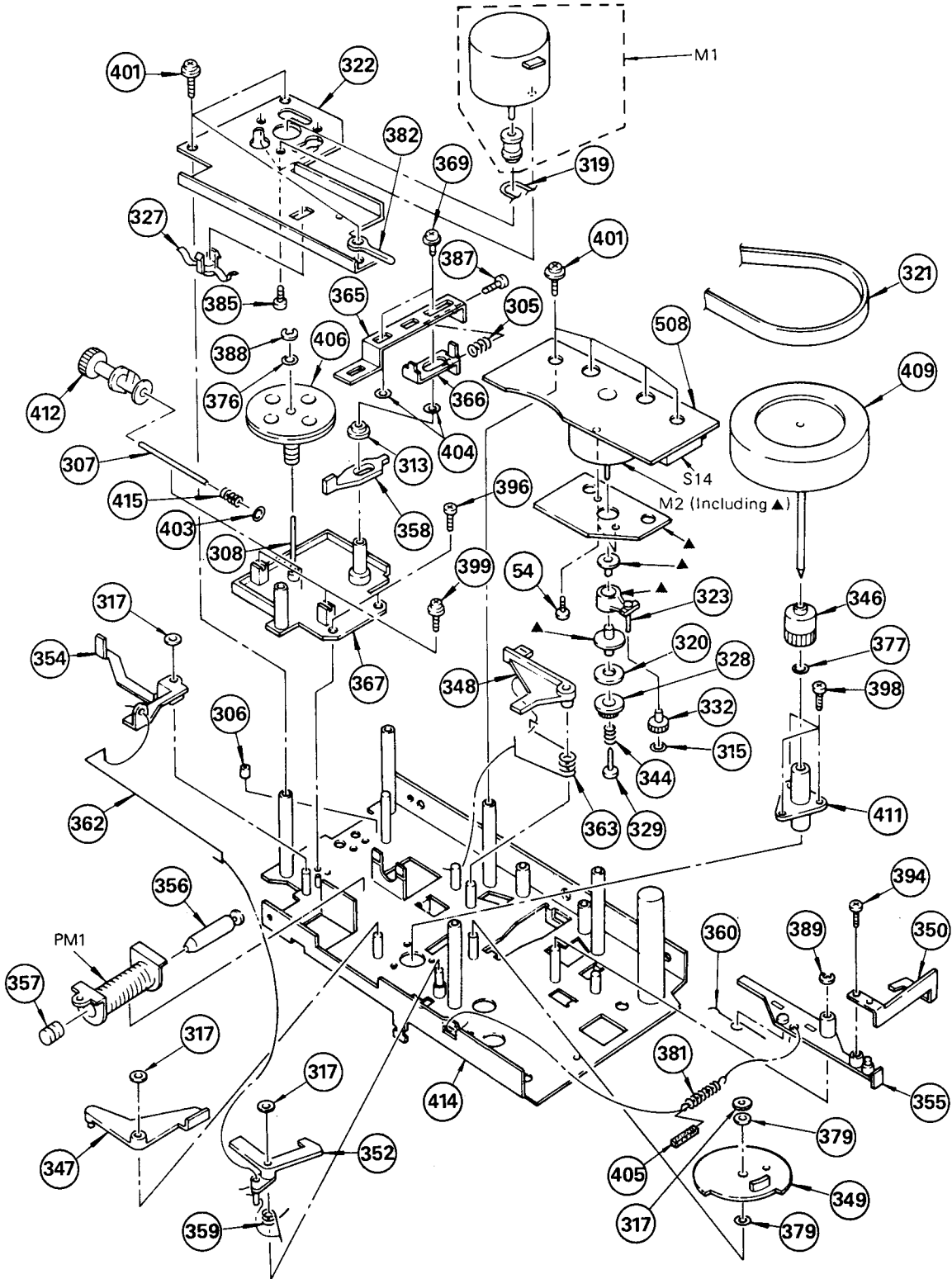
A

B

C

D

(4)



GENERAL SECTION

No.	Part No.	Description
1	♣;3-302-001-00	SHAFT, BUTTON, CONTROL
2	♣;3-302-004-00	HOLDER, LAMP
3	♣;3-302-005-00	BRACKET (L), PANEL
4	♣;3-302-006-00	BRACKET (R), PANEL
5	3-302-007-01	KNOB, SELECT, TAPE
6	♣;3-302-011-00	PLATE, SHUT-OFF
7	3-302-012-00	BRACKET, COVER, METER
8	♣;3-302-013-00	PLATE, RELAY
9	♣;3-302-014-00	PLATE, SIDE, RIGHT
10	3-302-016-00	ILLUMINATOR
11	3-302-017-00	ESCUTCHEON, METER
12	3-302-019-01	BUTTON, PAUSE
13	3-302-020-01	BUTTON, FWD
14	3-302-021-01	BUTTON, STOP
15	3-302-022-01	BUTTON, FF
16	3-302-023-01	BUTTON, REW
17	♣;3-302-024-00	BRACKET, BUTTON, CONTROL
18	♣;3-302-025-00	PLATE, BOTTOM
19	♣;3-302-026-00	PLATE, SIDE, LEFT
20	3-302-027-00	COVER, METER
21	3-302-028-01	TOP COVER
22	♣;3-302-031-00	CHASSIS, AMPLIFIER
23	♣;3-302-032-00	(US).....PLATE, JACK
23	3-302-033-00	(AEP,UK)...PLATE, JACK
23	3-302-034-00	(E).....PLATE, JACK
24	3-302-035-00	SPRING
25	3-302-043-00	PLATE, LOCK
26	♣;3-302-046-00	HOLDER, LAMP, SUB
27	3-302-047-00	SPRING, COMPRESSION
28	♣;3-302-053-00	PLATE, ADJUSTMENT, BUTTON
29	♣;3-302-067-00	RETAINER, PC BOARD
30	3-303-406-00	(US)....LABEL, MODEL NUMBER
30	3-303-407-00	(AEP)...LABEL, MODEL NUMBER
30	3-303-408-00	(UK)....LABEL, MODEL NUMBER
30	3-303-409-00	(E).....LABEL, MODEL NUMBER
31	♣;3-303-410-00	(US)....PLATE, FIXING
32	♣;3-303-507-00	PLATE, SHIELD
33	3-534-238-XX	SPRING, TENSION
34	3-534-276-00	HOLDER, LAMP
35	3-558-708-21	WASHER, STOPPER
36	3-575-365-00	SPRING, COMPRESSION
37	3-575-429-01	PLATE, ORNAMENTAL
38	♣;3-575-501-00	SLIDER, EJECT
39	♣;3-575-502-00	BRACKET, EJECT

GENERAL SECTION

No.	Part No.	Description
40	3-575-524-00	COVER, POWER SWITCH
41	3-575-533-00	BUTTON, EJECT
42	3-575-546-21	WINDOW, CASSETTE
43	3-576-731-00	FELT (H)
44	3-701-030-00	LABEL, SERIAL NUMBER
45	3-701-506-01	SET SCREW, DOUBLE POINT 3X4
46	△.3-701-682-00	(US).....STOPPER, CORD
46	△.3-703-244-00	(AEP,UK,E)....STOPPER, CORD
47	3-701-748-00	CLAMP
48	3-703-079-21	LABEL, COURTION (BACK)
49	3-703-249-01	SCREW, S TIGHT, +PTTW 3X6
50	3-831-441-XX	SHEET, PROTECTION
51	♣;4-861-002-11	HEAT SINK
52	♣;4-866-647-00	HEAT SINK
53	7-621-772-40	SCREW +B 2X8
54	7-621-775-15	SCREW +B 2.6X4
55	7-623-508-01	LUG, 3
56	7-682-547-01	SCREW +B 3X6
57	7-682-649-01	SCREW +PS 3X10
58	7-685-532-19	SCREW +BTP 2.6X5 TYPE2 N-S
59	7-685-544-19	SCREW +BTP 3X5 TYPE2 N-S
60	7-685-545-11	SCREW +BTP 3X6 TYPE2 N-S
61	7-685-564-19	SCREW +BTP 4X20 TYPE2 N-S
62	7-685-861-01	SCREW +BVTT 2.6X5 (S)
63	7-685-870-01	SCREW +BVTT 3X5 (S)
64	7-685-871-01	SCREW +BVTT 3X6 (S)
65	7-685-872-01	SCREW +BVTT 3X8 (S)
66	9-911-815-02	CUSHION
67	9-911-837-XX	CUSHION, FILTER
68	9-911-838-XX	SHEET, RUBBER
69	9-911-839-XX	CUSHION, LEAKAGE PROTECTION
70	9-911-841-XX	RUBBER, PROTECTION
71	A-2310-185-A	PANEL ASSY
72	X-3302-001-1	KNOB (R) ASSY, REC
73	X-3302-002-1	KNOB (L) ASSY, REC
74	X-3302-003-1	BUTTON ASSY, REC
75	X-3302-004-1	COVER ASSY, SUB, METER
76	X-3303-401-0	PANEL (PROCESSING) ASSY
77	X-3575-502-0	KNOB ASSY, POWER
78	7-685-546-11	SCREW +BTP 3X8 TYPE2 N-S

NOTE:

- Items with no part number and no description are not stocked because they are seldom required for routine service.
- Items marked "♣" are not stocked since they are seldom required for routine service. Some delay should be anticipated when ordering these items.
- Due to standardization, parts with part numbers (Δ-ΔΔΔ-ΔΔΔ-XX or Δ-ΔΔΔΔ-ΔΔΔ-X) may be different from those used in the set.

CAPACITORS:

- All capacitors are in μF. Common capacitors are omitted. Refer to the following lists for their part numbers. MF:μF, PF:μμF.

RESISTORS

- All resistors are in ohms. Common 1/4W, 1/8W and 1/16W carbon resistors are omitted. Refer to the following lists for their part numbers.

- F : nonflammable

COILS

- MMH : mH, UH : μH

The components identified by shading and mark △ are critical for safety. Replace only with part number specified.

SEMICONDUCTORS

In each case, U : μ, for example:  
 UA....: μA...., UPA....: μPA...., UPC....: μPC,  
 UPD....: μPD....

## ACCESSORY & PACKING MATERIAL

No.	Part No.	Description
	1-551-734-11	CORD, CONNECTION (RK-74A)
	3-302-049-00	CUSHION, UPPER
	3-302-050-00	CUSHION, LOWER
	3-303-401-00	(E)....INDIVIDUAL CARTON
	3-303-402-00	(AEP)...INDIVIDUAL CARTON
	3-303-403-00	(US)....INDIVIDUAL CARTON
	3-573-625-00	SHEET, POLYETHYLENE
	3-701-630-00	BAG, POLYETHYLENE
	3-783-783-11	(AEP,UK,E)...MANUAL, INSTRUCTION
	3-783-783-21	(US).....MANUAL, INSTRUCTION
	3-783-783-41	(AEP)...MANUAL, INSTRUCTION; DUTCH/SWEDISH
	3-793-828-11	QUESTIONNAIRE
	X-3701-105-0	ROD ASSY, CLEANING, HEAD

## MECHANISM SECTION

No.	Part No.	Description
301	3-143-124-XX	BELT, COUNTER
302	▲;3-302-058-00	STOPPER, EJECT
303	3-481-272-00	SPRING, COMPRESSION
304	3-535-360-00	SPRING, COMPRESSION
305	3-537-215-00	SPRING, COMPRESSION
306	3-538-051-00	RUBBER, BRAKE
307	▲;3-555-024-00	SHAFT, WORM WHEEL
308	▲;3-555-046-00	SHAFT, PULLEY
309	3-555-091-00	RETAINER (B), SPRING
310	3-555-094-00	FELT (B)
311	3-555-113-00	SPRING (R)
312	3-555-114-00	SPRING (L)
313	3-555-127-00	RETAINER (D), SPRING
314	3-558-708-11	WASHER, STOPPER
315	3-558-708-01	WASHER, STOPPER
316	3-558-708-11	WASHER, STOPPER
317	3-558-708-21	WASHER, STOPPER
318	3-561-827-00	PLATE (A), HYSTERESIS
319	3-561-892-00	BELT, COUNTER
320	3-564-027-11	FELT, LIMITER
321	3-564-319-00	BELT, CAPSTAN
322	▲;3-575-302-00	RETAINER, THRUST
323	3-575-304-00	SHAFT, GEAR, FR
324	▲;3-575-312-00	SPRING
325	▲;3-575-314-00	LEVER, FULCRUM, HOLDER
326	3-575-320-00	BASE, ADJUSTMENT, HEAD
327	3-575-321-00	RETAINER, THRUST, CAPSTAN
328	3-575-324-00	GEAR, LIMITER
329	3-575-327-00	STOPPER
330	3-575-330-00	BRACKET, HEAD
331	▲;3-575-331-00	LEVER, DETECTION, HALF
332	3-575-332-00	GEAR, FR
333	3-575-333-00	PISTON
334	▲;3-575-334-00	LEVER, DETECTION, REC
335	3-575-348-00	ROLLER, GUIDE, THREADING
336	3-575-349-00	PULLEY, CB
337	3-575-350-00	CLAW, REEL TABLE
338	3-575-354-00	LEVER, LOCK
339	3-575-355-00	HOLDER, CASSETTE
340	3-575-356-00	SPRING
341	3-575-357-00	SPRING, TENSION
342	3-575-364-00	SPRING, TENSION
343	3-575-365-00	SPRING, COMPRESSION
344	3-575-368-00	SPRING, COMPRESSION
345	3-575-392-00	RING, PISTON

### NOTE:

Items with no part number and no description are not stocked because they are seldom required for routine service.

Items marked "▲" are not stocked since they are seldom required for routine service. Some delay should be anticipated when ordering these items.

Due to standardization, parts with part numbers (Δ-ΔΔΔ-ΔΔΔ-XX or Δ-ΔΔΔΔ-ΔΔΔ-X) may be different from those used in the set.

### CAPACITORS:

All capacitors are in μF. Common capacitors are omitted. Refer to the following lists for their part numbers.  
MF:μF, PF:μμF.

### RESISTORS

All resistors are in ohms. Common 1/4W, 1/8W and 1/16W carbon resistors are omitted. Refer to the following lists for their part numbers.

F : nonflammable

### COILS

MMH : mH, UH : μH

The components identified by shading and mark ▲ are critical for safety. Replace only with part number specified.

### SEMICONDUCTORS

In each case, U : μ, for example:  
UA....: μA...., UPA....: μPA...., UPC....: μPC,  
UPD....: μPD....

MECHANISM SECTION

No.	Part No.	Description
346	3-575-397-00	GEAR, PINION
347	♣;3-575-398-00	LEVER (B), PAUSE
348	♣;3-575-400-00	LEVER (A), PAUSE
349	3-575-401-00	GEAR, LIMITER
350	♣;3-575-404-00	LEVER, DETECTION, HEAD
351	3-575-407-00	PLATE, DETECTION, SHUT-OFF
352	3-575-408-03	LEVER, TRIGGER
353	♣;3-575-409-00	BRACKET, COUNTER
354	3-575-410-00	ARM, TRIGGER
355	3-575-413-00	LEVER, FWD
356	3-575-415-11	ARBOR, MOVABLE
357	3-575-416-11	ARBOR, FIXED
358	3-575-420-00	LEVER (A), DETECTION
359	3-575-421-00	SPRING
360	3-575-422-00	SPRING
361	3-575-423-00	SPRING
362	3-575-424-00	JOINT, TRIGGER
363	3-575-425-00	SPRING
364	3-575-426-00	SPRING
365	♣;3-575-427-00	JOINT, SHUT-OFF
366	♣;3-575-428-00	PLATE, ADJUSTMENT
367	♣;3-575-430-00	BASE, SHUT-OFF
368	3-575-431-00	TABLE, REEL
369	3-575-432-00	SCREW, TAPPING
370	3-575-434-00	SPRING
371	♣;3-575-435-01	PLATE, TENSION, BACK
372	3-575-436-00	HOLDER, SPRING, PAUSE
373	3-575-437-00	RUBBER, BRAKE
374	3-575-456-00	SPRING, COMPRESSION
375	3-701-437-01	WASHER
376	3-701-437-21	WASHER
377	3-701-438-21	WASHER
378	3-701-439-01	WASHER
379	3-701-439-11	WASHER
380	.....	
381	3-701-788-XX	SPRING, TENSION

MECHANISM SECTION

No.	Part No.	Description
382	3-701-822-00	HOLDER, WIRE
383	3-703-496-00	SCREW + PWH2X14
384	3-827-525-00	WASHER, NYLON
385	7-621-259-15	SCREW +P 2.6X3
386	7-621-775-10	SCREW +B 2.6X4
387	7-621-775-40	SCREW +B 2.6X8
388	7-624-102-04	STOP RING 1.5, TYPE -E
389	7-624-105-04	STOP RING 2.3, TYPE -E
390	7-624-193-08	STOP RING 3, GRIP
391	7-671-112-11	BALL, STEEL
392	7-685-131-21	SCREW +P 2.6X4 TYPE2 SLIT
394	7-685-532-19	SCREW +BTP 2.6X5 TYPE2 N-S
395	7-685-533-19	SCREW +BTP 2.6X6 TYPE2 N-S
396	7-685-860-01	SCREW +BVTT 2.6X4 (S)
397	7-685-861-01	SCREW +BVTT 2.6X5 (S)
398	7-685-862-01	SCREW +BVTT 2.6X6 (S)
399	7-687-205-21	TOTSU PTPWH 2X8,TYPE2,SLIT
400	7-687-232-21	SCREW, +PTPWH 2.6X5 TYPE 2
401	7-687-246-21	SCREW, TOTSU PTPWH 3X8,TYPE2
402	7-687-402-31	SCREW, TOTSU PTT 2.6X6
403	7-688-001-11	W 2, MIDDLE
404	7-688-002-01	W 2.6, SMALL
405	9-911-815-02	CUSHION
406	X-3555-007-0	PULLEY ASSY, WORM
407	♣;X-3575-301-0	PLATE (A) ASSY, HOLDER FULCRUM
408	♣;X-3575-302-0	PLATE (B) ASSY, FULCRUM
409	X-3575-305-0	FLYWHEEL (D) ASSY
410	X-3575-324-0	CHASSIS, HEAD
411	X-3575-330-0	METAL ASSY, CAPSTAN
412	X-3575-331-0	WHEEL ASSY, WORM
413	X-3575-332-0	PINCH LEVER (T) ASSY
414	♣;X-3575-333-0	CHASSIS ASSY, MECHANISM
415	3-555-122-00	SPRING, COMPRESSION
416	7-624-101-01	RING, RETAINING E-1.2

NOTE:

- Items with no part number and no description are not stocked because they are seldom required for routine service.
- Items marked " ♣ " are not stocked since they are seldom required for routine service. Some delay should be anticipated when ordering these items.
- Due to standardization, parts with part numbers (Δ-ΔΔΔ-ΔΔΔ-XX or Δ-ΔΔΔΔ-ΔΔΔ-X) may be different from those used in the set.

CAPACITORS:

- All capacitors are in μF. Common capacitors are omitted. Refer to the following lists for their part numbers. MF:μF, PF:μμF.


RESISTORS

- All resistors are in ohms. Common 1/4W, 1/8W and 1/16W carbon resistors are omitted. Refer to the following lists for their part numbers.

- F : nonflammable

COILS

- MMH : mH, UH : μH

The components identified by shading and mark  are critical for safety. Replace only with part number specified.

SEMICONDUCTORS

- In each case, U : μ, for example: UA..... : μA....., UPA..... : μPA....., UPC..... : μPC, UPD..... : μPD.....



ELECTRICAL PARTS

Ref.No.	Part No.	Description
501	1-452-155-00	MAGNET
502	▲;1-534-817-XX	(AEP)...CORD, POWER
502	▲;1-534-986-XX	(US)...CORD, POWER
502	▲;1-551-473-31	(E2)...CORD, POWER
502	▲;1-551-884-00	(UK)...CORD, POWER
502	▲;1-555-734-21	(E1)...CORD, POWER
503	1-535-139-00	(E)...BASE POST 19mm
504	1-548-536-51	COUNTER
505	▲;1-560-060-00	PIN, CONNECTOR 2P
506	▲;1-560-064-00	PIN, CONNECTOR 6P
507	▲;1-560-066-00	PIN, CONNECTOR 10P
508	▲;1-605-801-00	PC BOARD, SWITCH
509	▲;1-605-860-00	(E)...PC BOARD, POWER
510	▲;1-606-140-00	PC BOARD, REC/PB
511	▲;1-606-141-00	PC BOARD, PIN JACK
512	▲;1-606-142-00	PC BOARD, MIC (L)
513	▲;1-606-143-00	PC BOARD, MIC (R)
514	▲;1-606-144-00	PC BOARD, REC INDICATION
515	▲;1-606-145-00	PC BOARD, PEAK LED
516	▲;1-606-146-00	PC BOARD, HEADPHONE
517	▲;A-2010-204-A	MOUNTED PCB, RECORD/PLAYBACK
C101	1-123-381-00	ELECT 2.2MF 20% 50V
C102	1-161-323-00	CERAMIC 0.001MF 10% 50V
C103	1-123-353-00	ELECT 2.2MF 20% 50V
C104	1-123-354-00	ELECT 3.3MF 20% 50V
C105	1-123-356-00	ELECT 10MF 20% 25V
C106	1-123-307-00	ELECT 100MF 20% 10V
C107	1-108-563-00	MYLAR 0.0022MF 5% 50V
C108	1-130-623-00	FILM 0.018MF 5% 50V
C109	1-161-257-00	CERAMIC 6.8PF 10% 50V
C110	1-161-268-00	CERAMIC 56PF 5% 50V
C111	1-161-268-00	CERAMIC 56PF 5% 50V
C112	1-161-347-00	CERAMIC 110PF 5% 50V
C113	1-123-319-00	ELECT 47MF 20% 16V
C114	1-108-573-00	MYLAR 0.0056MF 5% 50V
C115	1-130-620-00	FILM 0.01MF 5% 50V
C116	1-130-621-00	FILM 0.012MF 5% 50V
C117	1-108-577-00	MYLAR 0.0082MF 5% 50V
C118	1-130-623-00	FILM 0.018MF 5% 50V
C119	1-108-573-00	MYLAR 0.0056MF 5% 50V
C120	1-130-624-00	FILM 0.022MF 5% 50V
C121	1-107-165-00	MICA 56PF 5% 500V
C122	1-161-323-00	CERAMIC 0.001MF 10% 50V
C123	1-161-271-00	CERAMIC 100PF 5% 50V
C124	1-130-624-00	FILM 0.022MF 5% 50V

ELECTRICAL PARTS

Ref.No.	Part No.	Description
C125	1-123-353-00	ELECT 2.2MF 20% 50V
C126	1-108-569-00	MYLAR 0.0039MF 5% 50V
C127	1-161-271-00	CERAMIC 100PF 5% 50V
C128	1-102-111-00	CERAMIC 270PF 10% 50V
C129	1-107-167-00	MICA 75PF 5% 500V
C130	1-123-353-00	ELECT 2.2MF 20% 50V
C131	1-130-635-00	FILM 0.18MF 5% 50V
C133	1-130-632-00	FILM 0.1MF 5% 50V
C134	1-130-634-00	FILM 0.15MF 5% 50V
C135	1-130-632-00	FILM 0.1MF 5% 50V
C136	1-130-633-00	FILM 0.12MF 5% 50V
C137	1-108-577-00	MYLAR 0.0082MF 5% 50V
C138	1-108-571-00	MYLAR 0.0047MF 5% 50V
C139	1-123-356-00	ELECT 10MF 20% 16V
C140	1-130-631-00	FILM 0.082MF 5% 50V
C141	1-108-577-00	MYLAR 0.0082MF 5% 50V
C142	1-130-627-00	FILM 0.039MF 5% 50V
C143	1-130-628-00	FILM 0.047MF 5% 50V
C144	1-123-328-00	ELECT 4.7MF 20% 25V
C145	1-108-570-00	MYLAR 0.0043MF 5% 50V
C147	1-130-634-00	FILM 0.15MF 5% 50V
C148	1-130-628-00	FILM 0.047MF 5% 50V
C149	1-130-626-00	FILM 0.033MF 5% 50V
C150	1-123-356-00	ELECT 10MF 20% 16V
C151	1-130-623-00	FILM 0.018MF 5% 50V
C152	1-108-571-00	MYLAR 0.0047MF 5% 50V
C153	1-123-356-00	ELECT 10MF 20% 16V
C154	1-130-631-00	FILM 0.082MF 5% 50V
C155	1-123-354-00	ELECT 3.3MF 20% 50V
C156	1-123-353-00	ELECT 2.2MF 20% 50V
C157	1-130-633-00	FILM 0.12MF 5% 50V
C158	1-130-623-00	FILM 0.018MF 5% 50V
C160	1-130-622-00	FILM 0.015MF 5% 50V
C163	1-123-307-00	ELECT 100MF 20% 10V
C166	1-102-074-00	CERAMIC 0.001MF 10% 50V
C167	1-161-271-00	CERAMIC 100PF 5% 50V
C201	1-123-381-00	ELECT 2.2MF 20% 50V
C202	1-161-323-00	CERAMIC 0.001MF 10% 50V
C203	1-123-381-00	ELECT 2.2MF 20% 50V
C204	1-123-382-00	ELECT 3.3MF 20% 50V
C205	1-123-356-00	ELECT 10MF 20% 25V
C206	1-123-307-00	ELECT 100MF 20% 10V
C207	1-108-563-00	MYLAR 0.0022MF 5% 50V
C208	1-130-623-00	FILM 0.018MF 5% 50V
C209	1-161-257-00	CERAMIC 6.8PF 10% 50V

NOTE:

- Items with no part number and no description are not stocked because they are seldom required for routine service.
- Items marked "▲" are not stocked since they are seldom required for routine service. Some delay should be anticipated when ordering these items.
- Due to standardization, parts with part numbers (▲-▲▲▲-▲▲▲-XX or ▲-▲▲▲▲-▲▲▲-X) may be different from those used in the set.

CAPACITORS:

- All capacitors are in  $\mu$ F. Common capacitors are omitted. Refer to the following lists for their part numbers. MF: $\mu$ F, PF: $\mu$ F.

RESISTORS

- All resistors are in ohms. Common 1/4W, 1/8W and 1/16W carbon resistors are omitted. Refer to the following lists for their part numbers.

- F : nonflammable

COILS

- MMH : mH, UH :  $\mu$ H

The components identified by shading and mark ▲ are critical for safety. Replace only with part number specified.

SEMICONDUCTORS

- In each case, U :  $\mu$ , for example: UA...:  $\mu$ A..., UPA...:  $\mu$ PA..., UPC...:  $\mu$ PC, UPD...:  $\mu$ PD...

ELECTRICAL PARTS

Ref.No.	Part No.	Description			
C210	1-161-268-00	CERAMIC	56PF	5%	50V
C211	1-161-268-00	CERAMIC	56PF	5%	50V
C212	1-102-815-21	CERAMIC	110PF	5%	50V
C213	1-123-332-00	ELECT	47MF	20%	16V
C214	1-108-573-00	MYLAR	0.0056MF	5%	50V
C215	1-130-620-00	FILM	0.01MF	5%	50V
C216	1-130-621-00	FILM	0.012MF	5%	50V
C217	1-108-577-00	MYLAR	0.0082MF	5%	50V
C218	1-130-623-00	FILM	0.018MF	5%	50V
C219	1-108-573-00	MYLAR	0.0056MF	5%	50V
C220	1-130-624-00	FILM	0.022MF	5%	50V
C221	1-107-165-00	MICA	56PF	5%	500V
C222	1-161-323-00	CERAMIC	0.001MF	10%	50V
C223	1-161-271-00	CERAMIC	100PF	5%	50V
C224	1-130-624-00	FILM	0.022MF	5%	50V
C225	1-123-381-00	ELECT	2.2MF	20%	50V
C226	1-108-569-00	MYLAR	0.0039MF	5%	50V
C227	1-161-271-00	CERAMIC	100PF	5%	50V
C228	1-102-111-00	CERAMIC	270PF	10%	50V
C229	1-107-167-00	MICA	75PF	5%	500V
C230	1-123-381-00	ELECT	2.2MF	20%	50V
C231	1-130-635-00	FILM	0.18MF	5%	50V
C233	1-130-632-00	FILM	0.1MF	5%	50V
C234	1-130-634-00	FILM	0.15MF	5%	50V
C235	1-130-632-00	FILM	0.1MF	5%	50V
C236	1-130-633-00	FILM	0.12MF	5%	50V
C237	1-108-577-00	MYLAR	0.0082MF	5%	50V
C238	1-108-571-00	MYLAR	0.0047MF	5%	50V
C239	1-123-356-00	ELECT	10MF	20%	16V
C240	1-130-631-00	FILM	0.082MF	5%	50V
C241	1-108-577-00	MYLAR	0.0082MF	5%	50V
C242	1-130-627-00	FILM	0.039MF	5%	50V
C243	1-130-628-00	FILM	0.047MF	5%	50V
C244	1-123-369-00	ELECT	4.7MF	20%	25V
C245	1-108-570-00	MYLAR	0.0043MF	5%	50V
C247	1-130-634-00	FILM	0.15MF	5%	50V
C248	1-130-628-00	FILM	0.047MF	5%	50V
C249	1-130-626-00	FILM	0.033MF	5%	50V
C250	1-123-356-00	ELECT	10MF	20%	16V
C251	1-130-623-00	FILM	0.018MF	5%	50V
C252	1-108-571-00	MYLAR	0.0047MF	5%	50V
C253	1-123-356-00	ELECT	10MF	20%	16V
C254	1-130-631-00	FILM	0.082MF	5%	50V
C255	1-123-382-00	ELECT	3.3MF	20%	50V
C256	1-123-381-00	ELECT	2.2MF	20%	50V

ELECTRICAL PARTS

Ref.No.	Part No.	Description			
C257	1-130-633-00	FILM	0.12MF	5%	50V
C258	1-130-623-00	FILM	0.018MF	5%	50V
C260	1-130-622-00	FILM	0.015MF	5%	50V
C263	1-123-307-00	ELECT	100MF	20%	10V
C266	1-102-074-00	CERAMIC	0.001MF	10%	50V
C267	1-161-271-00	CERAMIC	100PF	5%	50V
C301	1-129-708-00	FILM	0.0033MF	10%	630V
C302	1-130-289-00	FILM	0.0047MF	5%	100V
C303	1-130-289-00	FILM	0.0047MF	5%	100V
C304	1-123-709-00	ELECT	1MF	20%	50V
C306	1-102-074-21	CERAMIC	0.001MF	10%	50V
C308	1-123-308-00	ELECT	220MF	20%	6.3V
C309	1-123-356-00	ELECT	10MF	20%	16V
C310	1-123-306-00	ELECT	47MF	20%	10V
C311	1-123-306-00	ELECT	47MF	20%	10V
C312	1-123-356-00	ELECT	10MF	20%	16V
C313	1-123-322-00	ELECT	330MF	20%	16V
C314	1-123-356-00	ELECT	10MF	20%	16V
C315	1-123-330-00	ELECT	22MF	20%	16V
C316	1-123-333-00	ELECT	100MF	20%	16V
C317	1-123-307-00	ELECT	100MF	20%	10V
C318	1-123-306-00	ELECT	47MF	20%	10V
C319	1-123-306-00	ELECT	47MF	20%	10V
C320	1-123-321-00	ELECT	220MF	20%	16V
C321	1-123-323-00	ELECT	470MF	20%	16V
C322	1-123-347-00	ELECT	330MF	20%	35V
C323	1-123-337-00	ELECT	1000MF	20%	25V
C324	1-123-336-00	ELECT	470MF	20%	25V
C326	1-123-321-00	ELECT	220MF	20%	16V
C327	1-123-321-00	ELECT	220MF	20%	16V
C328	1-123-379-00	ELECT	0.47MF	20%	50V
C329	1-123-381-00	ELECT	2.2MF	20%	50V
C335	1-161-323-00	CERAMIC	0.001MF	10%	50V
C338	1-130-297-00	FILM	0.01MF	5%	100V
C340	1-161-323-00	CERAMIC	0.001MF	10%	50V
C341	1-123-308-00	ELECT	220MF	20%	10V
C342	1-123-310-00	ELECT	470MF	20%	10V
C343	1-123-332-00	ELECT	47MF	20%	16V
C344	1-123-332-00	ELECT	47MF	20%	16V
C345	1-123-332-00	ELECT	47MF	20%	16V
C346	1-123-332-00	ELECT	47MF	20%	16V
C347	1-161-323-00	CERAMIC	0.001MF	10%	50V
C910	1-161-749-00	(US) CAP. CERAMIC	10000PF		125V
C910	1-130-455-00	(E) CAP. FILM	0.01MF		250V
C910	1-161-744-00	(AEP,UK) CAP. CERAMIC	10000PF		400V

NOTE:

- Items with no part number and no description are not stocked because they are seldom required for routine service.
- Items marked "▲" are not stocked since they are seldom required for routine service. Some delay should be anticipated when ordering these items.
- Due to standardization, parts with part numbers (Δ-ΔΔΔ-ΔΔΔ-XX or Δ-ΔΔΔΔ-ΔΔΔ-X) may be different from those used in the set.

CAPACITORS:

All capacitors are in μF. Common capacitors are omitted. Refer to the following lists for their part numbers.  
MF: μF, PF: μμF.

RESISTORS

All resistors are in ohms. Common 1/4W, 1/8W and 1/16W carbon resistors are omitted. Refer to the following lists for their part numbers.

F : nonflammable

COILS

MMH : mH, UH : μH

The components identified by shading and mark ▲ are critical for safety. Replace only with part number specified.

SEMICONDUCTORS

In each case, U : μ, for example:  
UA... : μA..., UPA... : μPA..., UPC... : μPC,  
UPD... : μPD...

ELECTRICAL PARTS

Ref.No.	Part No.	Description			
C1001	1-123-306-00	ELECT	47MF	20%	10V
C1002	1-123-306-00	ELECT	47MF	20%	10V
CNJ102	1-507-762-00	JACK, PIN 4P			
CT301	1-141-225-00	CAP, TUNING, TRIMMER			
D101	8-719-422-21	DIODE 1T22AM			
D201	8-719-422-21	DIODE 1T22AM			
D301	8-719-815-55	DIODE 1S1555			
D302	8-719-815-55	DIODE 1S1555			
D303	8-719-200-02	DIODE 10E-2			
D304	8-719-815-55	DIODE 1S1555			
D305	8-719-815-55	DIODE 1S1555			
D306	8-719-200-02	DIODE 10E-2			
D307	8-719-910-64	DIODE HZ681L			
D308	8-719-907-84	DIODE PR5535S			
D310	8-719-815-55	DIODE 1S1555			
D311	8-719-815-55	DIODE 1S1555			
D312	8-719-815-55	DIODE 1S1555			
D313	8-719-815-55	DIODE 1S1555			
D314	8-719-815-55	DIODE 1S1555			
D315	8-719-910-69	DIODE HZ6C3L			
D316	8-719-200-02	DIODE 10E-2			
D317	8-719-200-02	DIODE 10E-2			
D318	8-719-200-02	DIODE 10E-2			
D319	8-719-200-02	DIODE 10E-2			
D320	8-719-200-02	DIODE 10E-2			
D321	8-719-200-02	DIODE 10E-2			
D322	8-719-200-02	DIODE 10E-2			
D323	8-719-200-02	DIODE 10E-2			
D324	8-719-815-55	DIODE 1S1555			
D325	8-719-815-55	DIODE 1S1555			
D326	8-719-815-55	DIODE 1S1555			
D327	8-719-900-92	DIODE GL-9PR20			
D329	8-719-815-55	DIODE 1S1555			
D330	8-719-815-55	DIODE 1S1555			
D331	8-719-815-55	DIODE 1S1555			
D1001	8-719-815-55	DIODE 1S1555			
EHI	8-825-724-00	HEAD, ERASE EF-201-36			
IC101	8-759-300-74	IC CX-174-2			
IC102	8-759-300-74	IC CX-174-2			
IC201	8-759-300-74	IC CX-174-2			
IC202	8-759-300-74	IC CX-174-2			
IC301	8-759-705-62	IC NJM4562D-M			
IC302	8-759-745-60	IC NJM4560D			
IC303A	8-759-170-10	IC UPC78M10H			

ELECTRICAL PARTS

Ref.No.	Part No.	Description
J101	1-507-770-00	JACK (LARGE TYPE)
J201	1-507-770-00	JACK (LARGE TYPE)
J302	1-507-659-00	JACK
L101	1-231-388-00	FILTER, LOWPASS
L102	1-408-262-00	MICRO INDUCTOR 27MMH
L103	1-408-259-00	MICRO INDUCTOR 15MMH
L201	1-231-388-00	FILTER, LOWPASS
L202	1-408-262-00	MICRO INDUCTOR 27MMH
L203	1-408-259-00	MICRO INDUCTOR 15MMH
M1	A-2133-085-A	MOTOR ASSY, DC (DNE-4100A)
M2	X-0488-274-1	MOTOR ASSY, REEL
ME1	1-520-431-00	METER, LEVEL
ME2	1-520-431-00	METER, LEVEL
PL1	1-518-394-41	LAMP, PILOT
PL2	1-518-394-41	LAMP, PILOT
PL3	1-518-299-91	LAMP, PILOT
PM1	1-454-267-00	SOLENOID, PLUNGER
Q101	8-729-334-58	TRANSISTOR 2SC1345-E
Q102	8-729-334-58	TRANSISTOR 2SC1345-E
Q103	8-729-663-47	TRANSISTOR 2SC1364
Q104	8-729-663-47	TRANSISTOR 2SC1364
Q105	8-729-663-47	TRANSISTOR 2SC1364
Q106	8-729-663-47	TRANSISTOR 2SC1364
Q107	8-729-663-47	TRANSISTOR 2SC1364
Q108	8-729-663-47	TRANSISTOR 2SC1364
Q109	8-729-663-47	TRANSISTOR 2SC1364
Q110	8-729-663-47	TRANSISTOR 2SC1364
Q111	8-729-663-47	TRANSISTOR 2SC1364
Q112	8-729-663-47	TRANSISTOR 2SC1364
Q113	8-729-663-47	TRANSISTOR 2SC1364
Q114	8-729-663-47	TRANSISTOR 2SC1364
Q201	8-729-334-58	TRANSISTOR 2SC1345-E
Q202	8-729-334-58	TRANSISTOR 2SC1345-E
Q203	8-729-663-47	TRANSISTOR 2SC1364
Q204	8-729-663-47	TRANSISTOR 2SC1364
Q205	8-729-663-47	TRANSISTOR 2SC1364
Q206	8-729-663-47	TRANSISTOR 2SC1364
Q207	8-729-663-47	TRANSISTOR 2SC1364
Q208	8-729-663-47	TRANSISTOR 2SC1364
Q209	8-729-663-47	TRANSISTOR 2SC1364
Q210	8-729-663-47	TRANSISTOR 2SC1364
Q211	8-729-663-47	TRANSISTOR 2SC1364
Q212	8-729-663-47	TRANSISTOR 2SC1364
Q213	8-729-663-47	TRANSISTOR 2SC1364

NOTE:

- Items with no part number and no description are not stocked because they are seldom required for routine service.
- Items marked "♦" are not stocked since they are seldom required for routine service. Some delay should be anticipated when ordering these items.
- Due to standardization, parts with part numbers (Δ-ΔΔΔ-ΔΔΔ-XX or Δ-ΔΔΔΔ-ΔΔΔ-X) may be different from those used in the set.

CAPACITORS:

- All capacitors are in μF. Common capacitors are omitted. Refer to the following lists for their part numbers. MF:μF, PF:μμF.


RESISTORS

- All resistors are in ohms. Common 1/4W, 1/8W and 1/16W carbon resistors are omitted. Refer to the following lists for their part numbers.

- F : nonflammable

COILS

- MMH : mH, UH : μH

The components identified by shading and mark  are critical for safety. Replace only with part number specified.

SEMICONDUCTORS

- In each case, U : μ, for example:  
 UA... : μA... , UPA... : μPA... , UPC... : μPC,  
 UPD... : μPD...

ELECTRICAL PARTS

Ref.No.	Part No.	Description			
Q214	8-729-663-47	TRANSISTOR	2SC1364		
Q301	8-729-663-47	TRANSISTOR	2SC1364		
Q302	8-729-663-47	TRANSISTOR	2SC1364		
Q303	8-729-663-47	TRANSISTOR	2SC1364		
Q304	8-729-811-24	TRANSISTOR	2SD1012-G		
Q305	8-729-663-47	TRANSISTOR	2SC1364		
Q306	8-729-103-43	TRANSISTOR	2SB734-U2		
Q307	8-729-811-24	TRANSISTOR	2SD1012-G		
Q308	8-729-288-02	TRANSISTOR	2SD880-GR		
Q309	8-729-663-47	TRANSISTOR	2SC1364		
Q310	8-729-612-77	TRANSISTOR	2SA1027R		
Q311	8-729-663-47	TRANSISTOR	2SC1364		
Q312	8-729-663-47	TRANSISTOR	2SC1364		
Q313	8-729-612-77	TRANSISTOR	2SA1027R		
Q314	8-729-612-77	TRANSISTOR	2SA1027R		
Q315	8-729-154-83	TRANSISTOR	2SB548-P		
Q316	8-729-663-47	TRANSISTOR	2SC1364		
Q317	8-729-663-47	TRANSISTOR	2SC1364		
R101	1-246-497-00	CARBON	10K	5%	1/4W
R102	1-246-535-00	CARBON	390K	5%	1/4W
R103	1-246-526-00	CARBON	160K	5%	1/4W
R104	1-246-497-00	CARBON	10K	5%	1/4W
R105	1-246-441-00	CARBON	47	5%	1/4W
R106	1-246-529-00	CARBON	220K	5%	1/4W
R107	1-246-473-00	CARBON	1K	5%	1/4W
R108	1-246-529-00	CARBON	220K	5%	1/4W
R109	1-246-489-00	CARBON	4.7K	5%	1/4W
R110	1-246-473-00	CARBON	1K	5%	1/4W
R111	1-246-485-00	CARBON	3.3K	5%	1/4W
R112	1-246-513-00	CARBON	47K	5%	1/4W
R113	1-246-493-00	CARBON	6.8K	5%	1/4W
R114	1-246-473-00	CARBON	1K	5%	1/4W
R115	1-246-528-00	CARBON	200K	5%	1/4W
R116	1-246-524-00	CARBON	130K	5%	1/4W
R117	1-246-516-00	CARBON	62K	5%	1/4W
R118	1-246-524-00	CARBON	130K	5%	1/4W
R119	1-246-521-00	CARBON	100K	5%	1/4W
R120	1-246-490-00	CARBON	5.1K	5%	1/4W
R121	1-246-449-00	CARBON	100	5%	1/4W
R122	1-246-513-00	CARBON	47K	5%	1/4W
R123	1-246-449-00	CARBON	100	5%	1/4W
R124	1-246-500-00	CARBON	13K	5%	1/4W
R125	1-246-499-00	CARBON	12K	5%	1/4W
R126	1-246-473-00	CARBON	1K	5%	1/4W
R127	1-246-489-00	CARBON	4.7K	5%	1/4W

ELECTRICAL PARTS

Ref.No.	Part No.	Description			
R128	1-246-477-00	CARBON	1.5K	5%	1/4W
R129	1-246-491-00	CARBON	5.6K	5%	1/4W
R130	1-246-492-00	CARBON	6.2K	5%	1/4W
R131	1-246-513-00	CARBON	47K	5%	1/4W
R132	1-246-545-00	CARBON	1M	5%	1/4W
R133	1-246-530-00	CARBON	240K	5%	1/4W
R134	1-246-530-00	CARBON	240K	5%	1/4W
R135	1-246-445-00	CARBON	68	5%	1/4W
R136	1-246-501-00	CARBON	15K	5%	1/4W
R137	1-246-475-00	CARBON	1.2K	5%	1/4W
R138	1-246-458-00	CARBON	240	5%	1/4W
R139	1-246-454-00	CARBON	160	5%	1/4W
R140	1-246-545-00	CARBON	1M	5%	1/4W
R141	1-246-513-00	CARBON	47K	5%	1/4W
R142	1-246-508-00	CARBON	30K	5%	1/4W
R143	1-246-481-00	CARBON	2.2K	5%	1/4W
R144	1-246-530-00	CARBON	240K	5%	1/4W
R145	1-246-530-00	CARBON	240K	5%	1/4W
R146	1-246-502-00	CARBON	16K	5%	1/4W
R147	1-246-477-00	CARBON	1.5K	5%	1/4W
R148	1-246-463-00	CARBON	390	5%	1/4W
R149	1-246-510-00	CARBON	36K	5%	1/4W
R150	1-246-473-00	CARBON	1K	5%	1/4W
R151	1-246-481-00	CARBON	2.2K	5%	1/4W
R152	1-246-497-00	CARBON	10K	5%	1/4W
R153	1-246-529-00	CARBON	220K	5%	1/4W
R154	1-246-473-00	CARBON	1K	5%	1/4W
R155	1-246-477-00	CARBON	1.5K	5%	1/4W
R156	1-246-490-00	CARBON	5.1K	5%	1/4W
R157	1-246-485-00	CARBON	3.3K	5%	1/4W
R158	1-246-472-00	CARBON	910	5%	1/4W
R159	1-246-457-00	CARBON	220	5%	1/4W
R160	1-246-491-00	CARBON	5.6K	5%	1/4W
R161	1-246-473-00	CARBON	1K	5%	1/4W
R162	1-246-497-00	CARBON	10K	5%	1/4W
R163	1-246-509-00	CARBON	33K	5%	1/4W
R164	1-246-521-00	CARBON	100K	5%	1/4W
R165	1-246-465-00	CARBON	470	5%	1/4W
R166	1-246-529-00	CARBON	220K	5%	1/4W
R167	1-246-453-00	CARBON	150	5%	1/4W
R168	1-246-524-00	CARBON	130K	5%	1/4W
R169	1-246-490-00	CARBON	5.1K	5%	1/4W
R170	1-246-503-00	CARBON	18K	5%	1/4W
R171	1-246-529-00	CARBON	220K	5%	1/4W
R172	1-246-513-00	CARBON	47K	5%	1/4W

NOTE:

- Items with no part number and no description are not stocked because they are seldom required for routine service.
- Items marked "▲" are not stocked since they are seldom required for routine service. Some delay should be anticipated when ordering these items.
- Due to standardization, parts with part numbers (Δ-ΔΔΔ-ΔΔΔ-XX or Δ-ΔΔΔΔ-ΔΔΔ-X) may be different from those used in the set.

CAPACITORS:

- All capacitors are in μF. Common capacitors are omitted. Refer to the following lists for their part numbers. MF: μF, PF: μμF.

RESISTORS

- All resistors are in ohms. Common 1/4W, 1/8W and 1/16W carbon resistors are omitted. Refer to the following lists for their part numbers.

- F : nonflammable

COILS

- MMH : mH, UH : μH

The components identified by shading and mark ▲ are critical for safety. Replace only with part number specified.

SEMICONDUCTORS

In each case, U : μ, for example: UA...: μA..., UPA...: μPA..., UPC...: μPC, UPD...: μPD...

## ELECTRICAL PARTS

Ref.No.	Part No.	Description			
R173	1-246-513-00	CARBON	47K	5%	1/4W
R174	1-246-501-00	CARBON	15K	5%	1/4W
R175	1-246-545-00	CARBON	1M	5%	1/4W
R176	1-246-513-00	CARBON	47K	5%	1/4W
R177	1-246-503-00	CARBON	18K	5%	1/4W
R178	1-246-509-00	CARBON	33K	5%	1/4W
R179	1-246-513-00	CARBON	47K	5%	1/4W
R180	1-246-545-00	CARBON	1M	5%	1/4W
R181	1-246-497-00	CARBON	10K	5%	1/4W
R182	1-246-445-00	CARBON	68	5%	1/4W
R183	1-246-513-00	CARBON	47K	5%	1/4W
R184	1-246-491-00	CARBON	5.6K	5%	1/4W
R185	1-246-513-00	CARBON	47K	5%	1/4W
R186	1-246-459-00	CARBON	270	5%	1/4W
R187	1-246-533-00	CARBON	330K	5%	1/4W
R188	1-246-461-00	CARBON	330	5%	1/4W
R189	1-246-473-00	CARBON	1K	5%	1/4W
R190	1-214-966-00	METAL	1.2M	1%	1/4W
R191	1-246-507-00	CARBON	27K	5%	1/4W
R192	1-246-513-00	CARBON	47K	5%	1/4W
R193	1-246-513-00	CARBON	47K	5%	1/4W
R194	1-246-483-00	CARBON	2.7K	5%	1/4W
R195	1-246-533-00	CARBON	330K	5%	1/4W
R196	1-246-505-00	CARBON	22K	5%	1/4W
R197	1-246-497-00	CARBON	10K	5%	1/4W
R198	1-246-481-00	CARBON	2.2K	5%	1/4W
R199	1-246-529-00	CARBON	220K	5%	1/4W
R200	1-246-528-00	CARBON	200K	5%	1/4W
R201	1-246-497-00	CARBON	10K	5%	1/4W
R202	1-246-535-00	CARBON	390K	5%	1/4W
R203	1-246-526-00	CARBON	160K	5%	1/4W
R204	1-246-497-00	CARBON	10K	5%	1/4W
R205	1-246-441-00	CARBON	47	5%	1/4W
R206	1-246-529-00	CARBON	220K	5%	1/4W
R207	1-246-473-00	CARBON	1K	5%	1/4W
R208	1-246-529-00	CARBON	220K	5%	1/4W
R209	1-246-489-00	CARBON	4.7K	5%	1/4W
R210	1-246-473-00	CARBON	1K	5%	1/4W
R211	1-246-485-00	CARBON	3.3K	5%	1/4W
R212	1-246-513-00	CARBON	47K	5%	1/4W
R213	1-246-493-00	CARBON	6.8K	5%	1/4W
R214	1-246-473-00	CARBON	1K	5%	1/4W
R215	1-246-528-00	CARBON	200K	5%	1/4W
R216	1-246-524-00	CARBON	130K	5%	1/4W
R217	1-246-516-00	CARBON	62K	5%	1/4W

## ELECTRICAL PARTS

Ref.No.	Part No.	Description			
R218	1-246-524-00	CARBON	130K	5%	1/4W
R219	1-246-521-00	CARBON	100K	5%	1/4W
R220	1-246-490-00	CARBON	5.1K	5%	1/4W
R221	1-246-449-00	CARBON	100	5%	1/4W
R222	1-246-513-00	CARBON	47K	5%	1/4W
R223	1-246-449-00	CARBON	100	5%	1/4W
R224	1-246-500-00	CARBON	13K	5%	1/4W
R225	1-246-499-00	CARBON	12K	5%	1/4W
R226	1-246-473-00	CARBON	1K	5%	1/4W
R227	1-246-489-00	CARBON	4.7K	5%	1/4W
R228	1-246-477-00	CARBON	1.5K	5%	1/4W
R229	1-246-491-00	CARBON	5.6K	5%	1/4W
R230	1-246-492-00	CARBON	6.2K	5%	1/4W
R231	1-246-513-00	CARBON	47K	5%	1/4W
R232	1-246-545-00	CARBON	1M	5%	1/4W
R233	1-246-530-00	CARBON	240K	5%	1/4W
R234	1-246-530-00	CARBON	240K	5%	1/4W
R235	1-246-445-00	CARBON	68	5%	1/4W
R236	1-246-501-00	CARBON	15K	5%	1/4W
R237	1-246-475-00	CARBON	1.2K	5%	1/4W
R238	1-246-458-00	CARBON	240	5%	1/4W
R239	1-246-454-00	CARBON	160	5%	1/4W
R240	1-246-545-00	CARBON	1M	5%	1/4W
R241	1-246-513-00	CARBON	47K	5%	1/4W
R242	1-246-508-00	CARBON	30K	5%	1/4W
R243	1-246-481-00	CARBON	2.2K	5%	1/4W
R244	1-246-530-00	CARBON	240K	5%	1/4W
R245	1-246-530-00	CARBON	240K	5%	1/4W
R246	1-246-502-00	CARBON	16K	5%	1/4W
R247	1-246-477-00	CARBON	1.5K	5%	1/4W
R248	1-246-463-00	CARBON	390	5%	1/4W
R249	1-246-510-00	CARBON	36K	5%	1/4W
R250	1-246-473-00	CARBON	1K	5%	1/4W
R251	1-246-481-00	CARBON	2.2K	5%	1/4W
R252	1-246-497-00	CARBON	10K	5%	1/4W
R253	1-246-529-00	CARBON	220K	5%	1/4W
R254	1-246-473-00	CARBON	1K	5%	1/4W
R255	1-246-477-00	CARBON	1.5K	5%	1/4W
R256	1-246-490-00	CARBON	5.1K	5%	1/4W
R257	1-246-485-00	CARBON	3.3K	5%	1/4W
R258	1-246-472-00	CARBON	910	5%	1/4W
R259	1-246-457-00	CARBON	220	5%	1/4W
R260	1-246-491-00	CARBON	5.6K	5%	1/4W
R261	1-246-473-00	CARBON	1K	5%	1/4W
R262	1-246-497-00	CARBON	10K	5%	1/4W

### NOTE:

- Items with no part number and no description are not stocked because they are seldom required for routine service.
- Items marked " \* " are not stocked since they are seldom required for routine service. Some delay should be anticipated when ordering these items.
- Due to standardization, parts with part numbers (Δ-ΔΔΔ-ΔΔΔ-XX or Δ-ΔΔΔΔ-ΔΔΔ-X) may be different from those used in the set.

### CAPACITORS:

- All capacitors are in μF. Common capacitors are omitted. Refer to the following lists for their part numbers. MF:μF, PF:μμF.

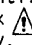
### RESISTORS

- All resistors are in ohms. Common 1/4W, 1/8W and 1/16W carbon resistors are omitted. Refer to the following lists for their part numbers.

- F : nonflammable

### COILS

- MMH : mH, UH : μH

The components identified by shading and mark  are critical for safety. Replace only with part number specified.

### SEMICONDUCTORS

In each case, U : μ, for example:  
 UA...: μA... , UPA...: μPA... , UPC...: μPC,  
 UPD...: μPD...

ELECTRICAL PARTS

Ref.No.	Part No.	Description				
R263	1-246-509-00	CARBON	33K	5%	1/4W	
R264	1-246-521-00	CARBON	100K	5%	1/4W	
R265	1-246-465-00	CARBON	470	5%	1/4W	
R266	1-246-529-00	CARBON	220K	5%	1/4W	
R267	1-246-453-00	CARBON	150	5%	1/4W	
R268	1-246-524-00	CARBON	130K	5%	1/4W	
R269	1-246-490-00	CARBON	5.1K	5%	1/4W	
R270	1-246-503-00	CARBON	18K	5%	1/4W	
R271	1-246-529-00	CARBON	220K	5%	1/4W	
R272	1-246-513-00	CARBON	47K	5%	1/4W	
R273	1-246-513-00	CARBON	47K	5%	1/4W	
R274	1-246-501-00	CARBON	15K	5%	1/4W	
R275	1-246-545-00	CARBON	1M	5%	1/4W	
R276	1-246-513-00	CARBON	47K	5%	1/4W	
R277	1-246-503-00	CARBON	18K	5%	1/4W	
R278	1-246-509-00	CARBON	33K	5%	1/4W	
R279	1-246-513-00	CARBON	47K	5%	1/4W	
R280	1-246-545-00	CARBON	1M	5%	1/4W	
R281	1-246-497-00	CARBON	10K	5%	1/4W	
R282	1-246-445-00	CARBON	68	5%	1/4W	
R283	1-246-513-00	CARBON	47K	5%	1/4W	
R284	1-246-491-00	CARBON	5.6K	5%	1/4W	
R285	1-246-513-00	CARBON	47K	5%	1/4W	
R286	1-246-459-00	CARBON	270	5%	1/4W	
R287	1-246-533-00	CARBON	330K	5%	1/4W	
R288	1-246-461-00	CARBON	330	5%	1/4W	
R289	1-246-473-00	CARBON	1K	5%	1/4W	
R290	1-214-966-00	METAL	1.2M	1%	1/4W	
R291	1-246-507-00	CARBON	27K	5%	1/4W	
R292	1-246-513-00	CARBON	47K	5%	1/4W	
R293	1-246-513-00	CARBON	47K	5%	1/4W	
R294	1-246-483-00	CARBON	2.7K	5%	1/4W	
R295	1-246-533-00	CARBON	330K	5%	1/4W	
R296	1-246-505-00	CARBON	22K	5%	1/4W	
R297	1-246-497-00	CARBON	10K	5%	1/4W	
R298	1-246-481-00	CARBON	2.2K	5%	1/4W	
R299	1-246-529-00	CARBON	220K	5%	1/4W	
R300	1-246-528-00	CARBON	200K	5%	1/4W	
R301	1-246-521-00	CARBON	100K	5%	1/4W	
R302	1-246-521-00	CARBON	100K	5%	1/4W	
R303	1-246-441-00	CARBON	47	5%	1/4W	
R304	1-246-462-00	CARBON	360	5%	1/4W	
R305	1-246-459-00	CARBON	270	5%	1/4W	
R306	1-246-461-00	CARBON	330	5%	1/4W	
R307	1-217-399-00	FUSIBLE	100	5%	1/4W	

ELECTRICAL PARTS

Ref.No.	Part No.	Description				
R308	1-246-493-00	CARBON	6.8K	5%	1/4W	
R309	1-246-485-00	CARBON	3.3K	5%	1/4W	
R310	1-246-481-00	CARBON	2.2K	5%	1/4W	
R311	1-244-825-00	CARBON	10	5%	1/2W	
R312	1-246-465-00	CARBON	470	5%	1/4W	
R313	1-246-475-00	CARBON	1.2K	5%	1/4W	
R314	1-246-483-00	CARBON	2.7K	5%	1/4W	
R315	1-246-473-00	CARBON	1K	5%	1/4W	
R316	1-246-473-00	CARBON	1K	5%	1/4W	
R317	1-246-489-00	CARBON	4.7K	5%	1/4W	
R318	1-246-495-00	CARBON	8.2K	5%	1/4W	
R319	1-246-461-00	CARBON	330	5%	1/4W	
R320	1-246-489-00	CARBON	4.7K	5%	1/4W	
R321	1-246-473-00	CARBON	1K	5%	1/4W	
R322	1-246-473-00	CARBON	1K	5%	1/4W	
R323	1-246-479-00	CARBON	1.8K	5%	1/4W	
R324	1-212-948-00	FUSIBLE	3.9	5%	1/2W	
R325	1-246-497-00	CARBON	10K	5%	1/4W	
R326	1-246-489-00	CARBON	4.7K	5%	1/4W	
R327	1-246-485-00	CARBON	3.3K	5%	1/4W	
R328	1-246-497-00	CARBON	10K	5%	1/4W	
R329	1-246-473-00	CARBON	1K	5%	1/4W	
R330	1-246-513-00	CARBON	47K	5%	1/4W	
R332	1-246-513-00	CARBON	47K	5%	1/4W	
R333	1-246-497-00	CARBON	10K	5%	1/4W	
R334	1-246-513-00	CARBON	47K	5%	1/4W	
R335	1-246-505-00	CARBON	22K	5%	1/4W	
R336	1-246-505-00	CARBON	22K	5%	1/4W	
R337	1-246-521-00	CARBON	100K	5%	1/4W	
R338	1-246-449-00	CARBON	100	5%	1/4W	
R339	1-246-489-00	CARBON	4.7K	5%	1/4W	
R340	1-246-513-00	CARBON	47K	5%	1/4W	
R341	1-246-449-00	CARBON	100	5%	1/4W	
R342	1-246-499-00	CARBON	12K	5%	1/4W	
R343	1-246-489-00	CARBON	4.7K	5%	1/4W	
R344	1-246-497-00	CARBON	10K	5%	1/4W	
R345	1-246-496-00	CARBON	9.1K	5%	1/4W	
R346	1-246-481-00	CARBON	2.2K	5%	1/4W	
R347	1-246-481-00	CARBON	2.2K	5%	1/4W	
R348	1-246-509-00	CARBON	33K	5%	1/4W	
R349	1-246-465-00	CARBON	470	5%	1/4W	
R350	1-246-465-00	CARBON	470	5%	1/4W	
R351	1-246-497-00	CARBON	10K	5%	1/4W	
R352	1-246-509-00	CARBON	33K	5%	1/4W	
R353	1-246-497-00	CARBON	10K	5%	1/4W	

NOTE:

- Items with no part number and no description are not stocked because they are seldom required for routine service.
- Items marked "▲" are not stocked since they are seldom required for routine service. Some delay should be anticipated when ordering these items.
- Due to standardization, parts with part numbers (Δ-ΔΔΔ-ΔΔΔ-XX or Δ-ΔΔΔΔ-ΔΔΔ-X) may be different from those used in the set.

CAPACITORS:

- All capacitors are in μF. Common capacitors are omitted. Refer to the following lists for their part numbers. MF:μF, PF:μμF.

RESISTORS

- All resistors are in ohms. Common 1/4W, 1/8W and 1/16W carbon resistors are omitted. Refer to the following lists for their part numbers.

- F : nonflammable

COILS

- MMH : mH, UH : μH

The components identified by shading and mark ▲ are critical for safety. Replace only with part number specified.

SEMICONDUCTORS

- In each case, U : μ, for example: UA...: μA..., UPA...: μPA..., UPC...: μPC, UPD...: μPD...

ELECTRICAL PARTS

Ref.No.	Part No.	Description
R354	1-246-449-00	CARBON 100 5% 1/4W
R355	1-246-487-00	CARBON 3.9K 5% 1/4W
R367	1-246-473-00	CARBON 1K 5% 1/4W
R368	1-246-479-00	CARBON 1.8K 5% 1/4W
R369	1-246-479-00	CARBON 1.8K 5% 1/4W
R370	1-246-413-00	CARBON 3.3 5% 1/4W
R452	1-246-499-00	CARBON 12K 5% 1/4W
R453	1-246-513-00	CARBON 47K 5% 1/4W
R454	1-246-511-00	CARBON 39K 5% 1/4W
R552	1-246-499-00	CARBON 12K 5% 1/4W
R553	1-246-513-00	CARBON 47K 5% 1/4W
R554	1-246-511-00	CARBON 39K 5% 1/4W
RPH1	8-829-373-00	HEAD, REC/PB PP181-3602C
RV101	1-226-236-00	RES, ADJ, CARBON 10K
RV102	1-226-236-00	RES, ADJ, CARBON 10K
RV103	1-226-233-00	RES, ADJ, CARBON 1K
RV201	1-226-236-00	RES, ADJ, CARBON 10K
RV202	1-226-236-00	RES, ADJ, CARBON 10K
RV203	1-226-233-00	RES, ADJ, CARBON 1K
RV301	1-226-905-00	RES, VAR, CARBON 50K/50K
S14	1-552-532-00	SWITCH, PUSH
S15	1-553-854-00	SWITCH, LEAF
S16	1-553-636-00	SWITCH, MICRO

S302  $\Delta$  1-553-318-00 (AEP, UK, JE) SWITCH, PUSH (POWER)  
 S302  $\Delta$  1-553-319-00 (US) SWITCH, PUSH (AC POWER)

S303 1-553-581-00 SWITCH, PUSH  
 S304 1-553-849-00 SWITCH, PUSH (5 KEY)

T301 1-433-242-00 TRANSFORMER, BIAS OSCILLATOR

T302  $\Delta$  1-447-091-00 TRANSFORMER, POWER

T302  $\Delta$  1-447-092-00 (JE) TRANSFORMER, POWER  
 T302  $\Delta$  1-447-093-00 (AEP, UK) TRANSFORMER, POWER

VST  $\Delta$  1-526-576-00 (E) SELECTOR, POWER VOLTAGE

NOTE:

- Items with no part number and no description are not stocked because they are seldom required for routine service.
- Items marked "  $\Delta$  " are not stocked since they are seldom required for routine service. Some delay should be anticipated when ordering these items.
- Due to standardization, parts with part numbers ( $\Delta$ - $\Delta\Delta\Delta$ - $\Delta\Delta\Delta$ -XX or  $\Delta$ - $\Delta\Delta\Delta\Delta$ - $\Delta\Delta\Delta$ -X) may be different from those used in the set.

CAPACITORS:

- All capacitors are in  $\mu$ F. Common capacitors are omitted. Refer to the following lists for their part numbers.  
 MF: $\mu$ F, PF: $\mu$ F.

RESISTORS

- All resistors are in ohms. Common 1/4W, 1/8W and 1/16W carbon resistors are omitted. Refer to the following lists for their part numbers.

- F : nonflammable

COILS

- MMH : mH, UH :  $\mu$ H

The components identified by shading and mark  $\Delta$  are critical for safety. Replace only with part number specified.

SEMICONDUCTORS

- In each case, U :  $\mu$ , for example:  
 UA...:  $\mu$ A..., UPA...:  $\mu$ PA..., UPC...:  $\mu$ PC,  
 UPD...:  $\mu$ PD...

Sony Corporation

© 1981

- 40 -

81J06131-1

Printed in Japan